

Electrode Vise

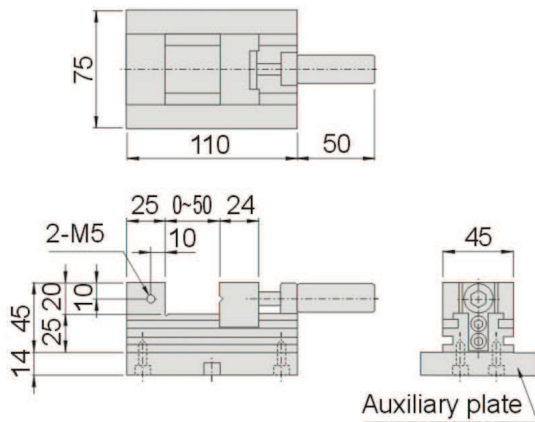
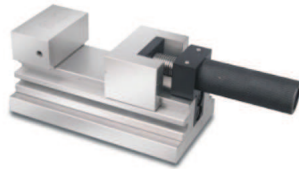
Material :SUS440 Parallelism:within 0.003mm/100mm
 Hardness:HRC48°~55° Squareness:within 0.005mm/100mm

Unit:mm

53390

EDSU60

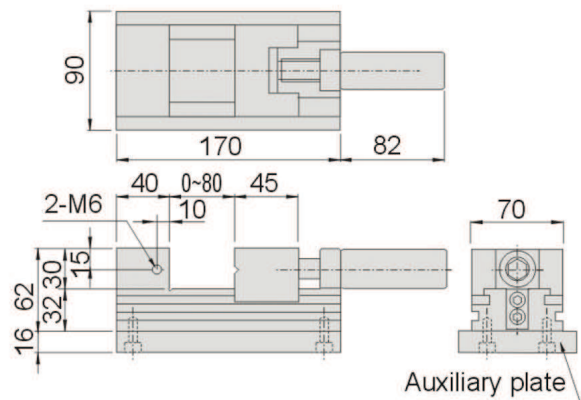
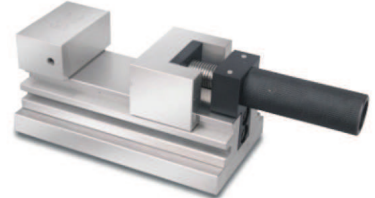
It can be used with positioning plate of EROWA (ER-009214)and System 3R (3R-651.7E-P).



53400

EDSU80

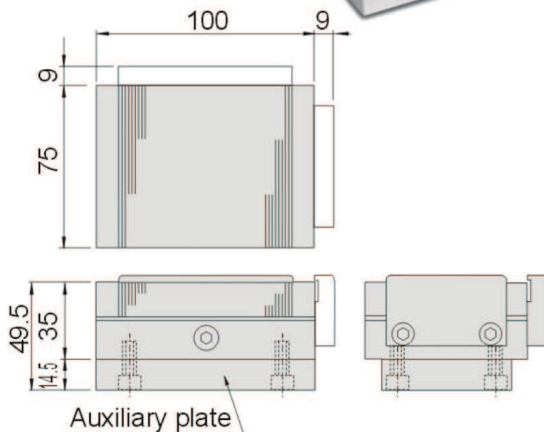
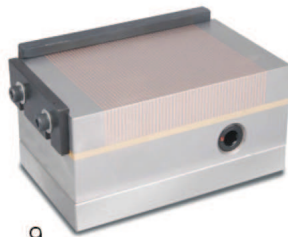
It can be used with positioning plate of EROWA (ER-011599)and System 3R (3R-601.7E-P).



53410

EMC75

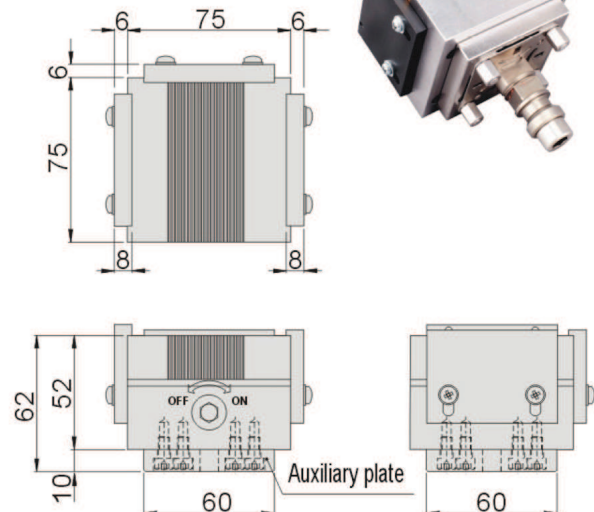
It can be used with positioning plate of EROWA (ER-009214)and System 3R (3R-651.7E-P).



53420

EMC75S

It can be used with positioning plate of EROWA (ER-009214)and System 3R (3R-651.7E-P).



ELECTRODE VISE