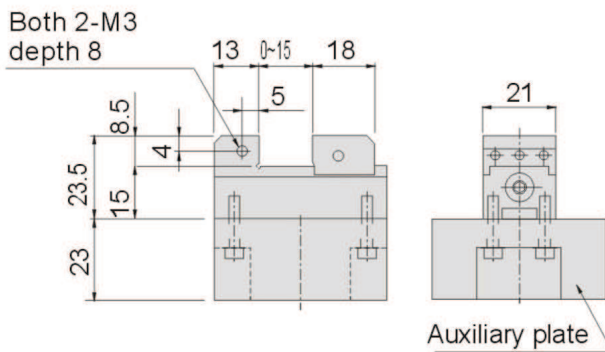
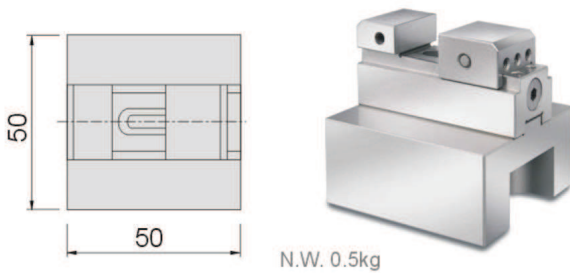


Material :SUS440 Parallelism:within 0.003mm/100mm
 Hardness:HRC48°~55° Squareness:within 0.005mm/100mm

Unit:mm

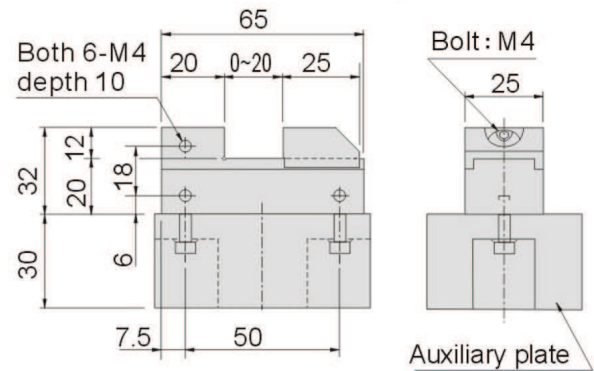
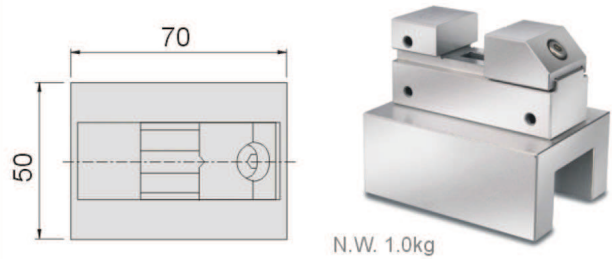
53350 EVJ10

It can be used with positioning plate of EROWA and System 3R.



53360 EVL10

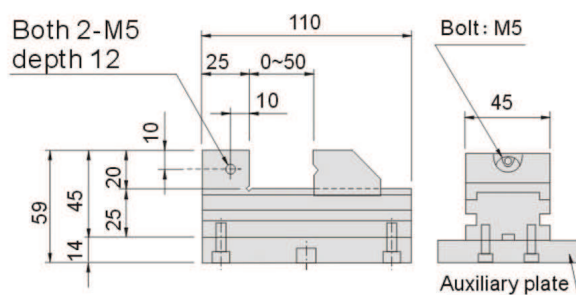
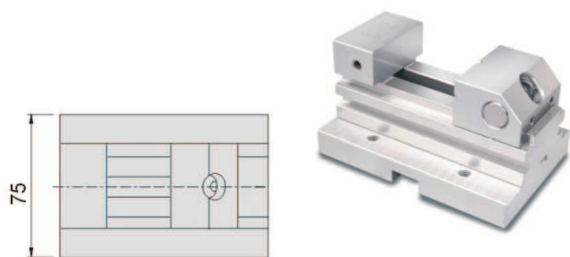
It can be used with positioning plate of EROWA and System 3R.



ELECTRODE VISE

53370 ESV45

It can be used with positioning plate of EROWA and System 3R.



53380 ESV70

It can be used with positioning plate of EROWA and System 3R.

