

Electrode Vise

Material : SUS440 Parallelism: within 0.003mm/100mm
 Hardness: HRC48^o~55^o Squareness: within 0.005mm/100mm

Unit: mm

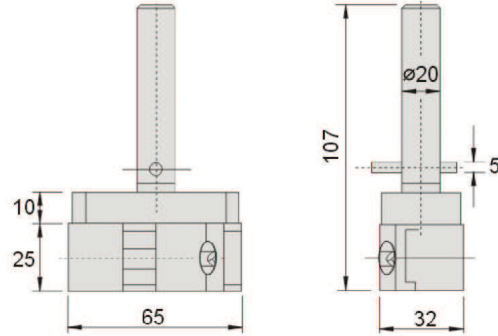
53300 VH20



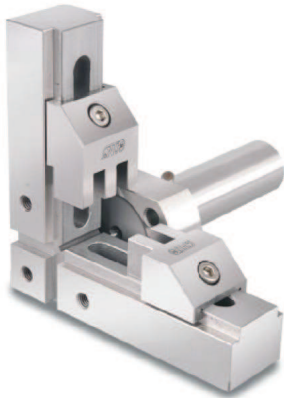
N.W. 0.5kg

Features :

- ▲ A delicate vise and suitable for clamping precision workpiece used in EDM Machine.



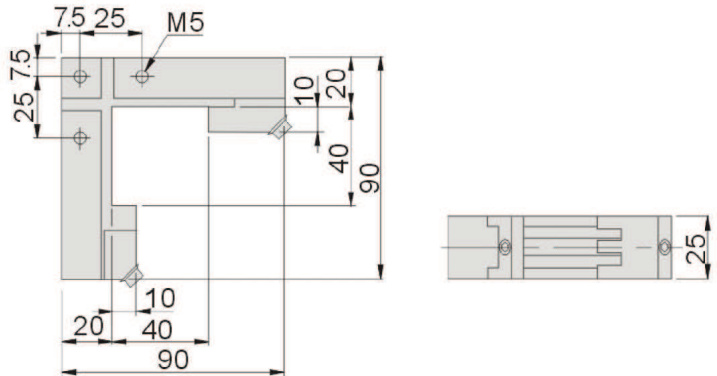
53310 VW20



N.W. 0.8kg

Features :

- ▲ Two way clamping and suitable for small and precision work in EDM Machine.



53320 EVH20



N.W. 0.7kg

Features :

- ▲ Compact version precision vise, suitable for small precision workpiece.
- ▲ Used in EDM machine.

