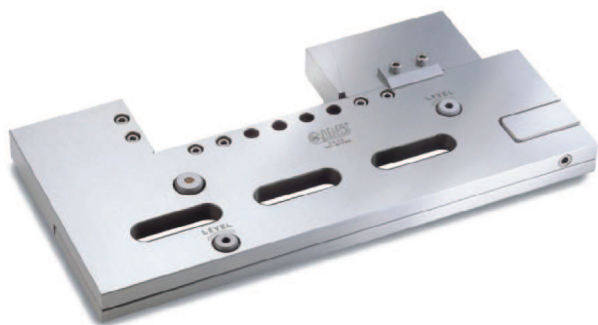


Wire EDM Extensions Clamp

53145

WPV

Stainless Precision Vise For EDM

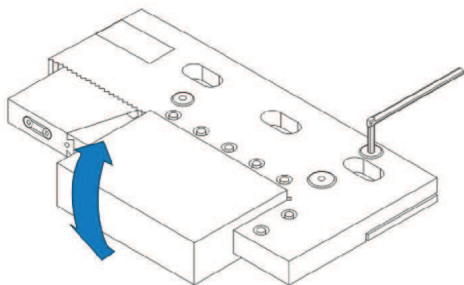


Features :

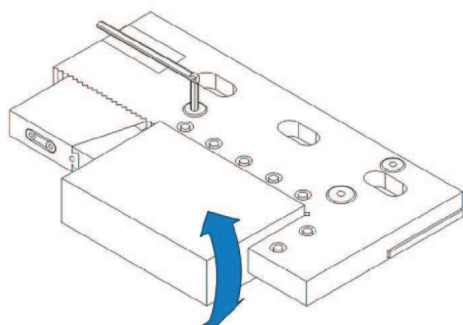
- ▶ Adopting high quality stainless steel (ASSAB STAVAX) with Sub-zero Treatment after Vacuum Heat Treatment, stable and distortion free.
- ▶ With 45° lock down design, workpiece anti-floating when clamp.
- ▶ 3-axis can be adjustable in this model.
- ▶ High water pressure resistance when clamping.
- ▶ Hardness: HRC45°~ 55°
- ▶ Parallelism: within 0.003/100mm
- ▶ Squareness: within 0.005/100mm

WIRE EDM EXTENSIONS CLAMP

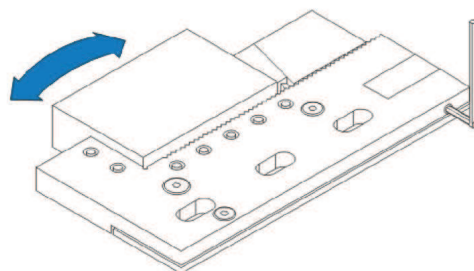
Leveling adjustment



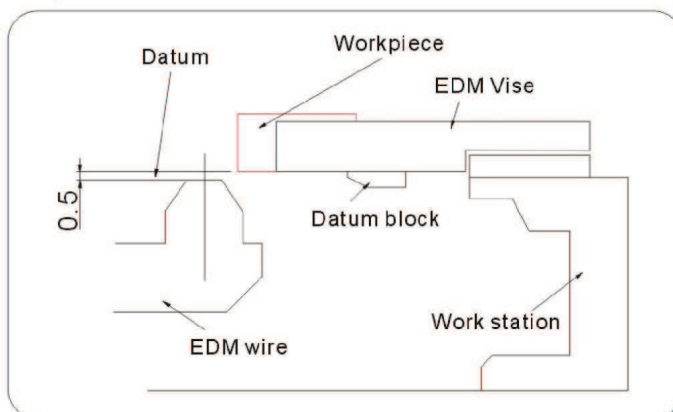
Leveling adjustment



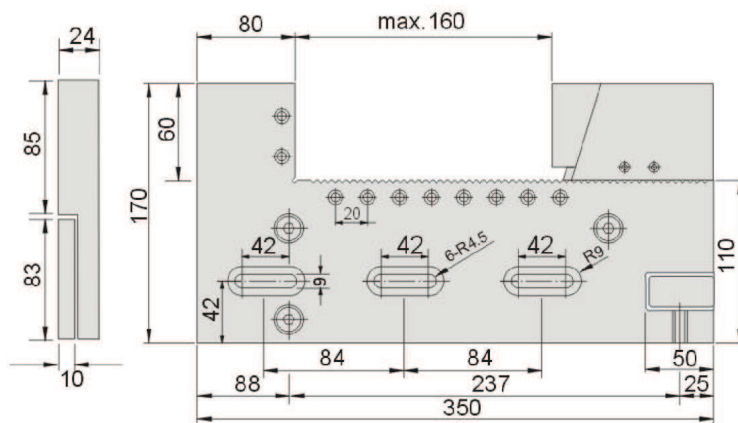
Parallel adjustment



Graphic of installation



WPV320 spec



Unit:mm

Order No.	Model	Spec	Clamping range		N.W.
			Max.	Depth	
53145-01	WPV280	24x170x270	100	50	5.5kg
53145-02	WPV320	24x170x350	160	60	8.6kg