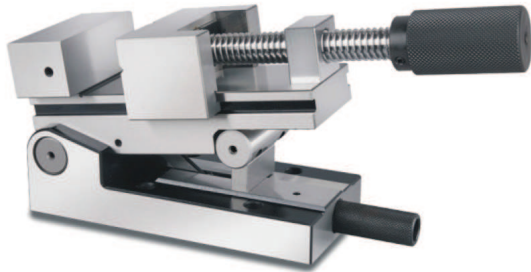


# Tool Maker Vise

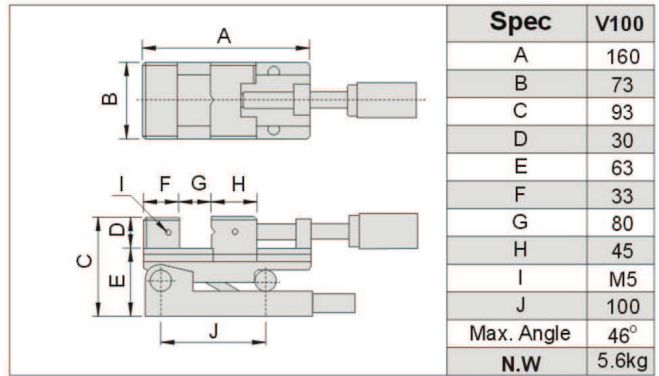
## 52860 V100 Precision Sine Vise



- ▶ Material:SKS
- ▶ Hardness:HRC58°~60°
- ▶ Sub-zero treatment:-185°C
- ▶ Parallelism:within 0.003mm/100mm
- ▶ Squareness:within 0.005mm/100mm
- ▶ Angle tolerance within 15 Sec..

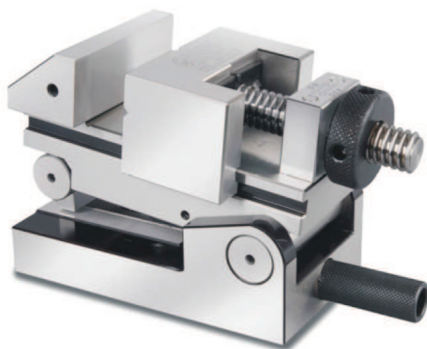
### Features :

- ▶ Made of high quality alloy tool steel (SKS3) with Sub-zero treatment.
- ▶ Suitably using in grinding, cutting, drilling, marking and measuring.
- ▶ New structure design make easier operation with higher accuracy and stability.



TOOL MAKER VISE

## 52870 VC100 Precision Sine Vise



- ▶ Material:SKS
- ▶ Hardness:HRC58°~60°
- ▶ Sub-zero treatment:-185°C
- ▶ Parallelism:within 0.003mm/100mm
- ▶ Squareness:within 0.005mm/100mm
- ▶ Angle tolerance within 15 Sec..

### Features :

- ▶ Made of high quality alloy tool steel (SKS3) with Sub-zero treatment.
- ▶ Suitably using in grinding, cutting, drilling, marking and measuring.
- ▶ New structure design make easier operation with higher accuracy and stability.

