

Tool Maker Vise

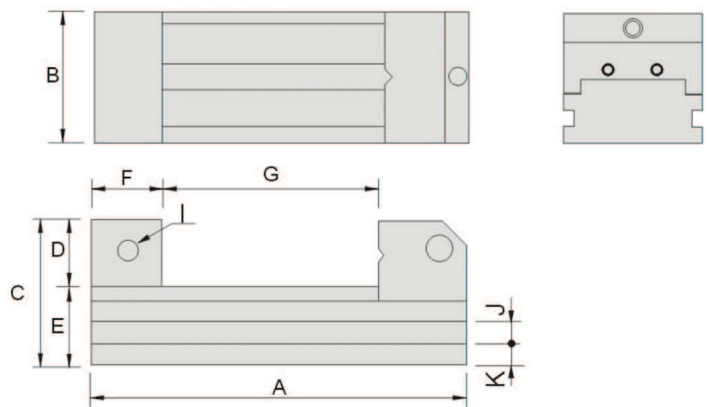
52830 SV Super Precision Tool Maker Vise

TOOL MAKER VISE



Features :

- ▶ Made of high quality alloy tool steel (SKS3) with Sub-zero treatment.
- ▶ The best type of Tool Maker Vise both in structure and accuracy.
- ▶ Due its high precision and stability, it is well-known in Japan and Europe and sold to worldwide range.
- ▶ Single side oblique angle design can automatically mend the distortion from the body.
- ▶ Material:SKS
- ▶ Hardness:HRC58°~60°
- ▶ Sub-zero treatment:-185°C
- ▶ Parallelism:within 0.003mm/100mm
- ▶ Squareness:within 0.004mm/100mm



Unit:mm

Order No.	Model	A	B	C	D	E	F	G	I	J	K	N.W.
52830-34	SV34	75	34	35	15	20	20	0-25	M4	-	-	0.5kg
52830-45	SV45	110	45	45	20	25	25	0-50	M5	6	8	1.0kg
52830-70	SV70	160	70	62	30	32	33	0-80	M6	8	9	3.0kg
52830-90	SV90	210	90	80	40	40	40	0-115	M6	10	12	6.7kg
52830-120	SV120	286	120	90	40	50	60	0-150	M6	12	14	14.9kg