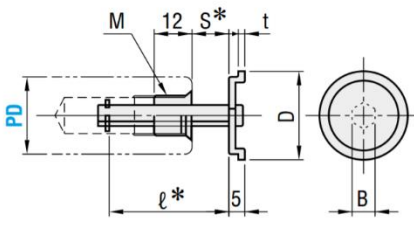



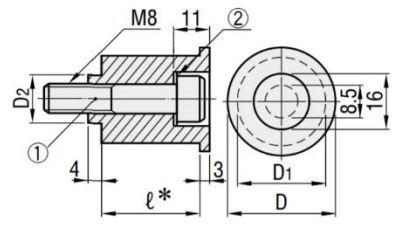
STM (Movable stopper)



* Determined according to the ball cage length.
M S45C, SPC-1 (Stopper cap)
S Black oxide (Fe₃O₄)



STK (Fixed-type stopper)




* Determined according to the ball cage length.
M S45C
S Black oxide (Fe₃O₄)

PD Post diameter	D	M×P	B	t	D ₁	D ₂	② A Spring washer	Type	PD	L Ball cage length			
20	24	10×1.5	5	1.6	19	14	Nominal diameter according to JIS B1251-1984 is 8mm.	STM (Movable stopper)	20	50			
22	26				21					60			
25	29				24					75			
28	33				27					75			
32	37				31					90			
38	44	12×1.5	6	2.0	37	20				STK (Fixed stopper)	38	75 90	
45	51				44							90 110	
50	56				49							90 110	
60	66				59							90 110	

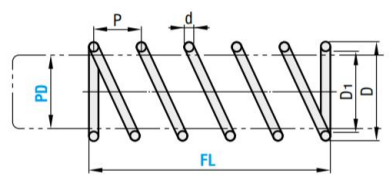
L Ball cage length	STM		STK	
	S	ℓ	ℓ	①CB
50	0~19	31	15	8-30
60	0~23	35	20	8-35
75	0~30	42	25	8-40
90	0~37	49	30	8-45
110	0~47	59	35	8-50



Type - PD - L
STM - PD20 - L50



SWP



M SWP-B

PD Post diameter	D	D ₁ ⁺¹ ₀	d	P
20	22.5	20.5	1.0	14
22	24.5	22.5	1.0	14
25	27.9	25.5	1.2	14
28	31.3	28.5	1.4	16
32	35.7	32.5	1.6	16
38	42.5	38.5	2.0	18
45	50.1	45.5	2.3	20
50	55.7	50.5	2.6	20
60	66.9	60.5	3.2	20

● Solid height = $\frac{FL \times d}{P} + 2d$

Type	PD	FL 10mm increments
SWP	20	40 ~ 90
		100 ~ 140
	22	40 ~ 90
		100 ~ 140
	25	40 ~ 90
		100 ~ 150
	28	50 ~ 90
		100 ~ 150
	32	70 ~ 140
		150 ~ 190
	38	80 ~ 140
		150 ~ 190
45	80 ~ 140	
	150 ~ 190	
50	80 ~ 140	
	150 ~ 190	
60	80 ~ 140	
	150 ~ 190	



Type - PD - FL
SWP - PD20 - FL110