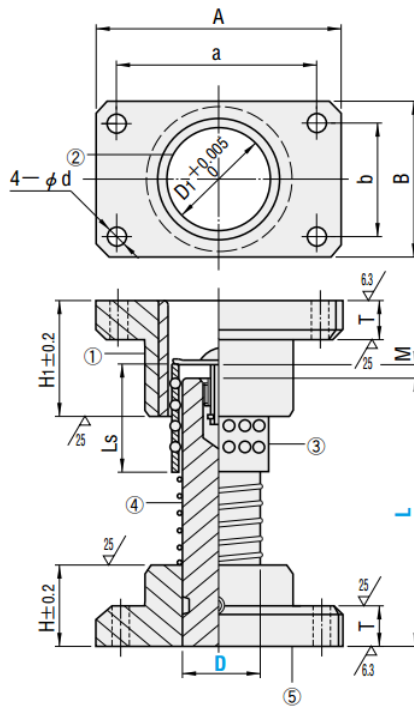


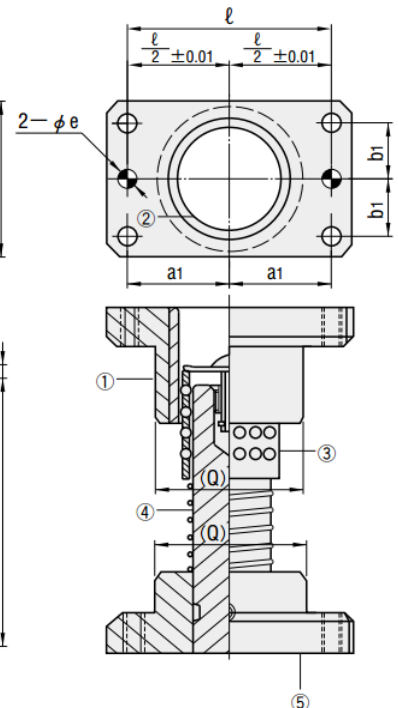


- ①⑤ M FC250
- ② M SUJ2
- ③ H 58HRC~
- ④ M Aluminum alloy
- ④ M SUJ2
- ④ H 58HRC~ (Induction hardening)

MYA (Aluminum type)



MYAP (Aluminum type with dowel hole)

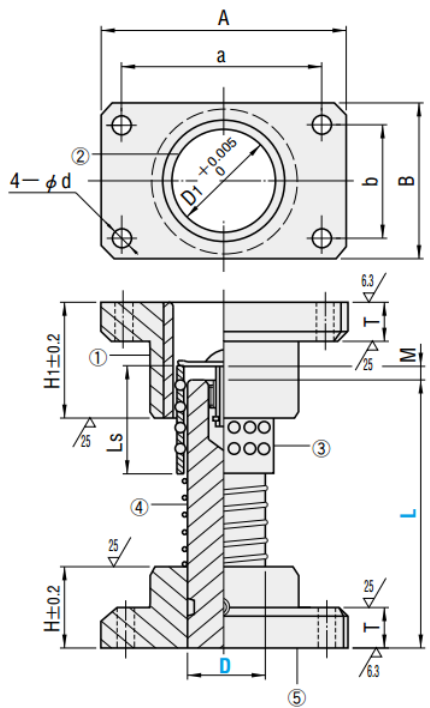


Ⓚ (Q) values are reference only.

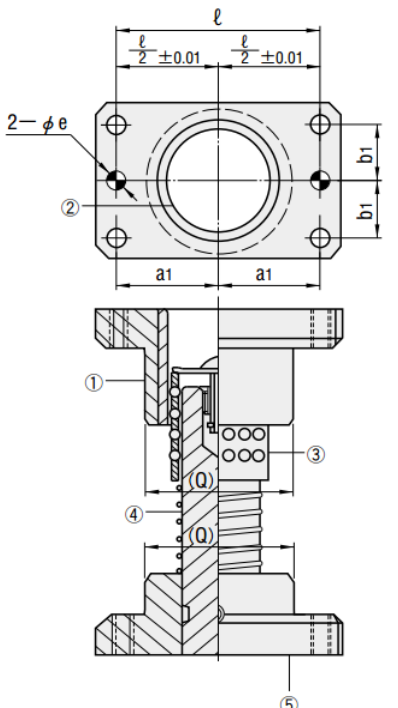


- ①⑤ M FC250
- ② M SUJ2
- ③ H 58HRC~
- ③ M POM (Polyacetal resin)
- ④ M SUJ2
- ④ H 58HRC~ (Induction hardening)

MYJ (Resin type)



MYJP (Resin type with dowel hole)



Ⓚ (Q) values are reference only.

D	D ₁	A	B	a	b	d	H	H ₁	T	(Q)	L _s	M	Stopper distance	ℓ	a ₁	b ₁	eH7	⑥ Provided bolts	⑦ Provided dowel pins
20	26	74	44	56	30	6.6	30	50	15	42	50	0~20	56	28	15	6	$^{+0.012}_0$	CB 6—30	MSTM 6—20
25	31	84	48	66	30	9	30	50	20	46	50	0~20	66	33	15	8	$^{+0.015}_0$	CB 8—35	MSTM 8—30
32	40	100	58	76	36	11	40	60	20	56	60	0~25	76	38	18	8		CB10—40	MSTM 8—30
38	48	130	75	100	44	11	50	70	25	73	70	0~29	100	50	22	10		CB10—45	MSTM10—40
50	60	155	90	125	60	14	65	90	25	87	90	0~42	125	62.5	30	10		CB12—50	MSTM10—40

Type	D	L	
MYA	20	90 100 110 120	130 140 150 160
		90 100 110 120	130 140 150 160
MYAP	25	110 120 130 140 150	170 180 200
		130 140 150 160	160 170 180 200
MYJ	32	130 140 150 160	220 240 260
		170 180 200 220	240 260 300
MYJP	38	170 180 200 220	240 260 300
		170 180 200	220 240 260
MYJP	50	170 180 200	220 240 260
		220 240 260	300 350

Type	Replacement parts						
	1 Post	2 Holder	3 Bushing	4 Retainer	5 Spring	6 Stopper	
Ball guide post sets	MYA	Not available	MGH	MAB	MBS	SWMY	STMY
	MYAP		MGHP	MABP			
	MYJ		MGH	MAB	MBJ		
	MYJP		MGHP	MABP			


 Type - D - L
 MYAP - D38 - L200