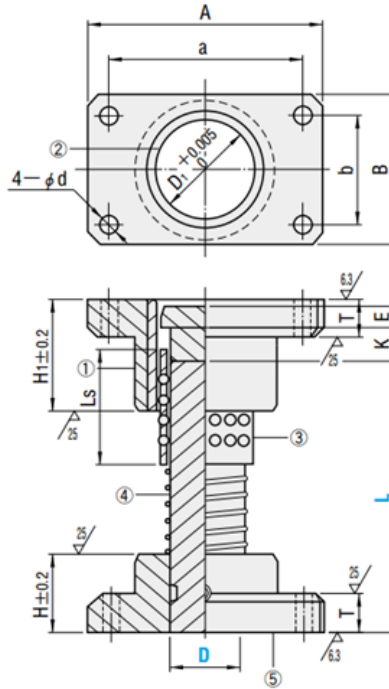


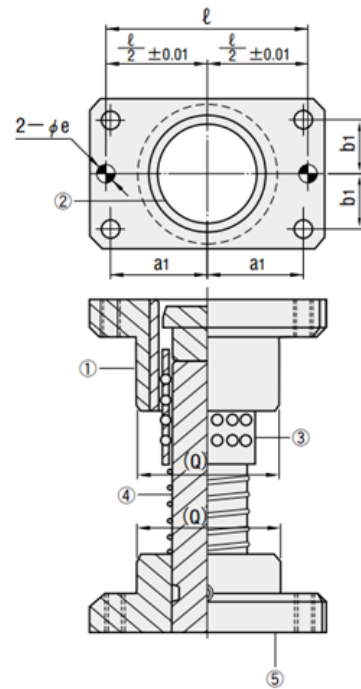


- ①⑤ **M** FC250
- ② **M** SUJ2
- ③ **H** 58HRC~
- ④ **M** Aluminum alloy
- ⑥ **M** SUJ2
- ⑦ **H** 58HRC~ (Induction hardening)

MYAK (Aluminum type)



MYKP (Aluminum type with dowel hole)

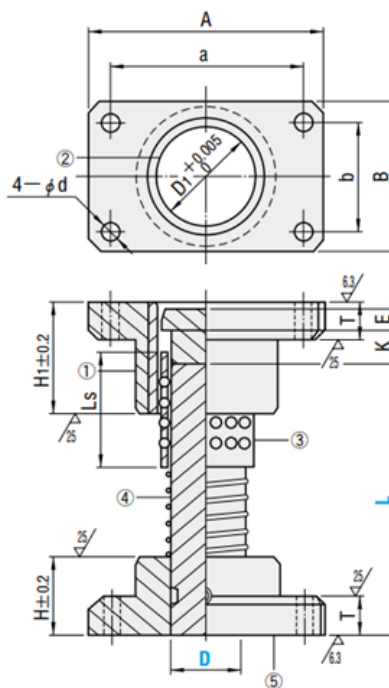


Ⓚ (Q) values are reference only.

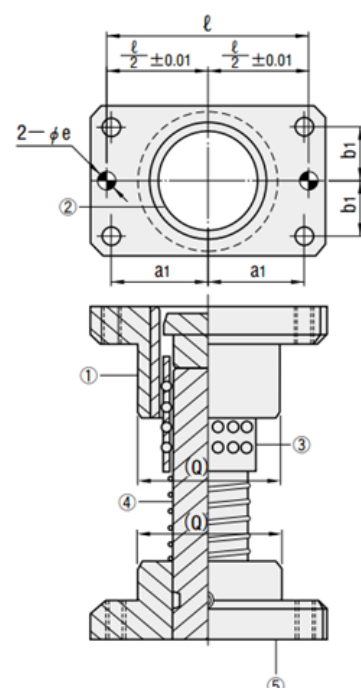


- ①⑤ **M** FC250
- ② **M** SUJ2
- ③ **H** 58HRC~
- ④ **M** POM (Polyacetal resin)
- ⑥ **M** SUJ2
- ⑦ **H** 58HRC~ (Induction hardening)

MYJK (Resin type)



MJKP (Resin type with dowel hole)



Ⓚ (Q) values are reference only.

D	D ₁	A	B	a	b	d	H	H ₁	T	(Q)	K	Stopper fixed	E	L _s	ℓ	a ₁	b ₁	eH7	⑥ Provided bolt	⑦ Provided dowel pins
25	31	84	48	66	30	9	30	50	20	46	20	5	50	66	33	15	8	+0.015 0	CB 8—35	MSTM 8—30
32	40	100	58	76	36	11	40	60	20	56	25	5	60	76	38	18	8		CB10—40	MSTM 8—30
38	48	130	75	100	44	11	50	70	25	73	30	10	70	100	50	22	10		CB10—45	MSTM10—40
50	60	155	90	125	60	14	65	90	25	87	40	10	90	125	62.5	30	10		CB12—50	MSTM10—40
60	70	190	120	150	80	18	75	100	30	117	50	15	100	150	75	40	13	+0.018 0	CB16—60	MSTM13—50

Type	D	L
MYAK	25	90 100 110 120
		130 140 150 160
		170 180 200
MYKP	32	110 120 130 140 150
		160 170 180 200
		220 240 260
MYJK	38	130 140 150 160
		170 180 200 220
		240 260 300
MJKP	50	170 180 200
		220 240 260
		300 350
	60	200 220
		240 260
		300 350

Type	Replacement parts						
	1 Post	2 Holder	3 Bushing	4 Retainer	5 Spring	6 Stopper	
Ball guide post sets	MYAK	Not available	MGH	MAB	MBS	SWMY	Not available
	MYKP		MGHP	MABP			
	MYJK		MGH	MAB	MBJ		
	MJKP		MGHP	MABP			



Type - D - L

MYAK - D38 - L200