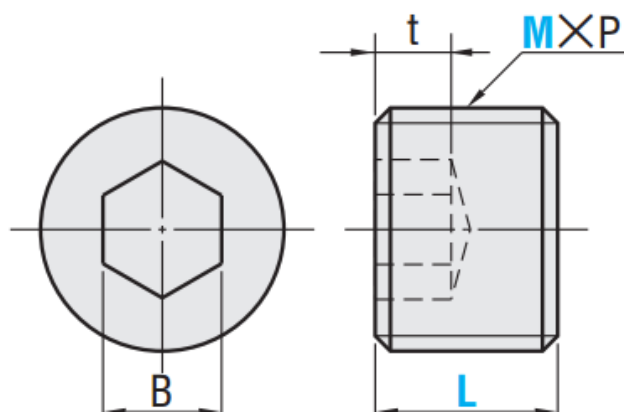


MSW



M MSW 4135 (M2.5 ~ 10)
1045 (M12 ~ 45)

H 34 ~ 43HRC

S Black oxide (Fe₃O₄)
(JIS B 0207 Grade 2)

Standard type

M×P	L	B	t	Catalog No.	
				Type	M
2.5	0.45	3	1.3	MSW	2.5
3	0.5	3	1.5		3*
4	0.7	4	2		4*
5	0.8	5	2.5		5*
6	1.0	6	3		6
8	1.25	8	4		8
10	1.5	10	5		10
12	1.5		6		12
14			8		14
16			10		16
18		12	18		
20	1.5 (fine thread)	12	6	20	
22				22	
24				24	
25				25	
26		17	10	26	
27				27	
28				28	
30				30	
33				33	
36				36	
38	18	17	10	38	
40				40	
42				42	
45				45	