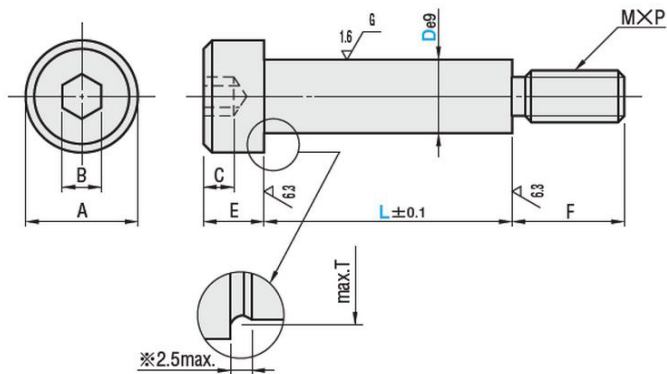


Shoulder Bolts
外螺纹型等高螺栓



Deg		A	B	C	E	MxP	T
4	-0.020 -0.050	6.5	2.5	1.6	3	2.5x0.45	4.5
4.5		7				3x0.5	5
5		8	4	3.5	6		
5.5		9		2.2		4x0.7	6.5
6		10	2	5x0.8	7		
6.5		-0.025 -0.061	13	5	3	6	6x1.0
8	16		8	4	8	8x1.25	10.8
10	17						12.8
12	-0.032 -0.075	18	8	5	10	10x1.5	14
13		24	10	7	14	12x1.75	17
16		27	14	9	18	16x2.0	21
20	-0.040 -0.092	27	14	9	18	16x2.0	21



M SCM435
H 33~38HRC

Part Number	L															F								
Type	D																							
MSB	4	15	20	25	30	35	40										5							
	4.5	10	15	20	25	30	35	40	45							6								
		10	15	20	25	30	35	40	45	50														
	5	10	15	20	25	30	35	40	45	50						7								
		10	15	20	25	30	35	40	45	50	55													
	6	10	15	20	25	30	35	40	45	50	55	60	65	70	9									
		10	15	20	25	30	35	40	45	50	55	60	65	70		75	80							
	8	10	15	20	25	30	35	40	45	50	55	60	65	70	75	80	85	90	12					
		10	15	20	25	30	35	40	45	50	55	60	65	70	75	80	85	90		95	100	110	120	
	10	10	15	20	25	30	35	40	45	50	55	60	65	70	75	80	85	90	95	100	110	120		
		10	15	20	25	30	35	40	45	50	55	60	65	70	75	80	85	90	95	100	16			
	12	10	15	20	25	30	35	40	45	50	55	60	65	70	75	80	85	90	95	100				
13		10	15	20	25	30	35	40	45	50	55	60	65	70	75	80	85	90	95	100	18			
	10	15	20	25	30	35	40	45	50	55	60	65	70	75	80	85	90	95	100	110		120	130	
16	10	15	20	25	30	35	40	45	50	55	60	65	70	75	80	85	90	95	100	24				
	10	15	20	25	30	35	40	45	50	55	60	65	70	75	80	85	90	95	100		110	120	130	140
20	10	15	20	25	30	35	40	45	50	55	60	65	70	75	80	85	90	95	100	110	120	130	140	150



Order: Typ - D - L
Example : **MSB - D13 - L15**