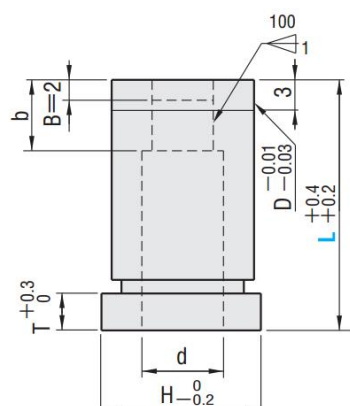

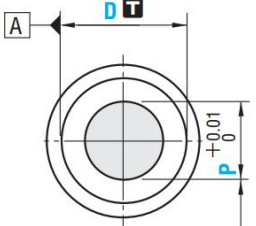
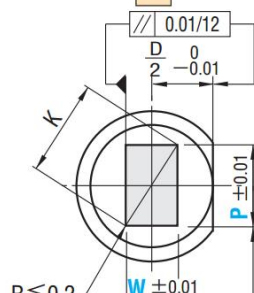
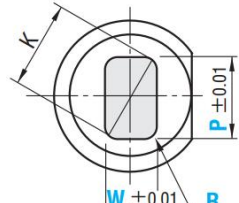
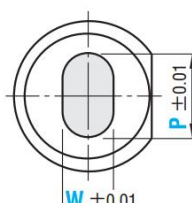
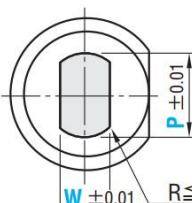


Headed	Shank diameter D Tolerance	Material G	D dimension	Type	
	Dm5	SKH51 61~64HRC	D3~5	A MHD	
		SKD11 59~62HRC	D6~56	D HDD R HDR E HDE G HDG	

Hole shape A	Hole shape D	Hole shape R	Hole shape E	Hole shape G
 <p> $P \geq W$ $K = \sqrt{P^2 + W^2}$ </p>	 <p> $P \geq W$ $K = \sqrt{P^2 + W^2}$ </p>	 <p> $P \geq W$ $0.15 \leq R < \frac{W}{2}$ $K = \sqrt{(P-2R)^2 + (W-2R)^2} + 2R$ </p>	 <p> $P > W$ </p>	 <p> $P > W$ </p>

D tolerance			Catalog No.		L		0.01mm increments				b	d	H	T
D	m5	+0.005 0	Type	D			A	D R E G	R					
					min.	max.	P·Kmax.	P·Wmin.	R					
3	+0.006 -0.002	+0.005 0	A MHD	SKH51 (Dm5)	3	16 20	0.30~1.00	—	—	0.15 ≤ R < W/2 (R only)	2	2.0	4	5
4	+0.009 +0.004			4	16 20 22 25 28 30	0.50~2.00	—	—	2.4			5		
5	+0.009 +0.004			5	16 20 22 25 28 30	0.50~2.50	—	—	2.9		6			
6	+0.012 +0.006			6	16 20 22 25 28 30 32 35	1.00~3.00	3.00	1.00	3.4		9			
8	+0.012 +0.006			8	16 20 22 25 28 30 32 35 40	1.00~4.00	4.00	1.00	4.4		11			
10	+0.015 +0.007			10	16 20 22 25 28 30 32 35 40 45	2.00~6.00	6.00	1.20	6.4		13			
13	+0.015 +0.007		13	16 20 22 25 28 30 32 35 40 45	3.00~8.00	8.00	1.50	8.4	16					
16	+0.017 +0.008		16	16 20 22 25 28 30 32 35 40 45	5.00~10.00	10.00	2.00	10.6	19					
20	+0.017 +0.008		20	16 20 22 25 28 30 32 35 40 45	7.00~12.00	12.00	3.00	12.6	23					
22	+0.020 +0.009		22	16 20 22 25 28 30 32 35 40 45	8.00~14.00	14.00	3.00	14.6	25					
25	+0.020 +0.009		25	16 20 22 25 28 30 32 35 40 45	10.00~16.00	16.00	3.00	16.6	28					
32	+0.024 +0.011		32	16 20 22 25 28 30 32 35	15.00~20.00	20.00	4.00	20.6	35					
38	+0.024 +0.011		38	16 20 22 25 30 35	19.00~26.00	26.00	5.00	26.6	41					
45	+0.024 +0.011		45	20 22 25 30 35	25.00~35.00	35.00	6.00	36.0	48					
50	+0.024 +0.011		50	20 22 25 30 35	33.00~40.00	40.00	7.00	41.0	53					
56	+0.024 +0.011		56	20 22 25 30 35	38.00~45.00	45.00	8.00	46.0	59					


Type - D - L - P - W - R(® only)
MHD - D13 - L30 - P7.00