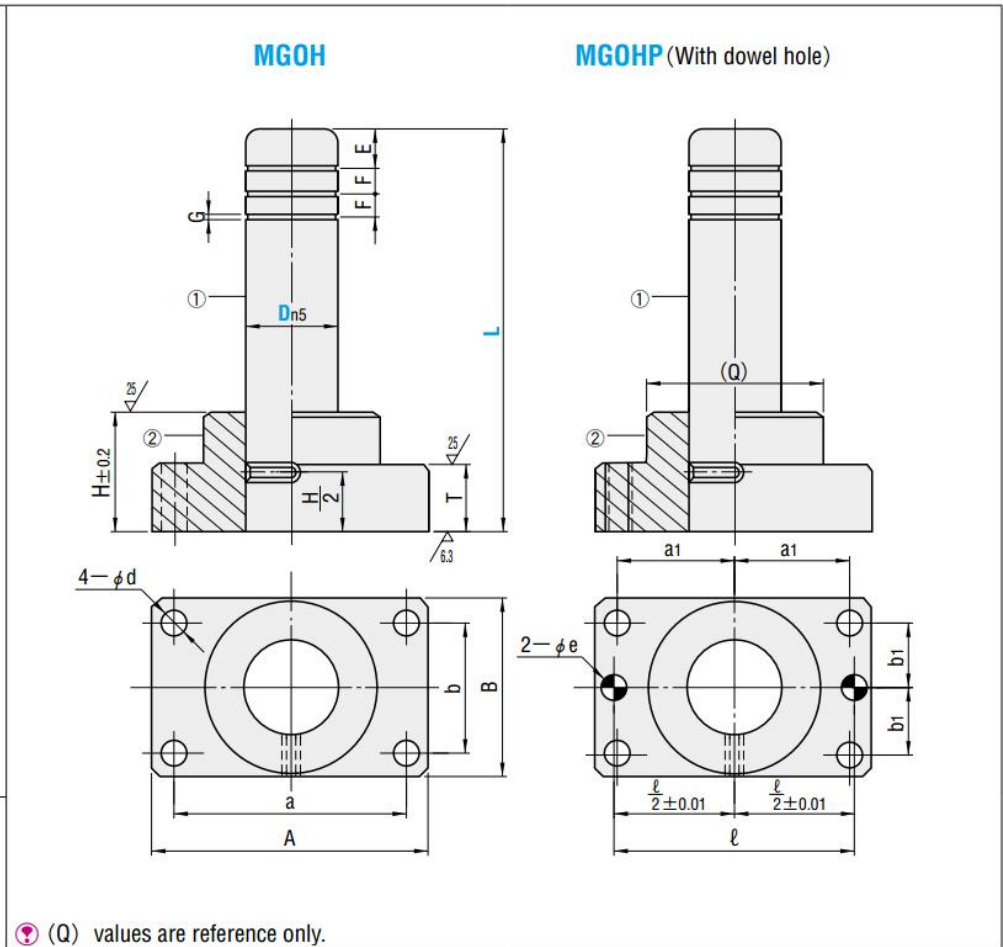


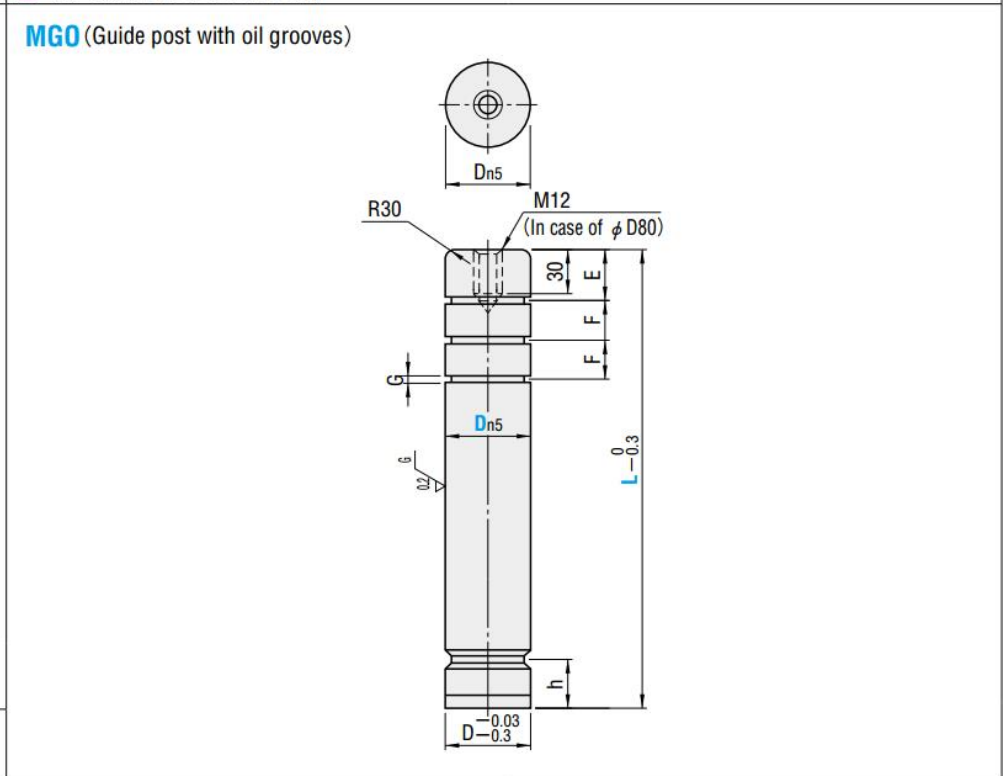


- ① **M** S45C
- ② **H** 55HRC~ (Induction hardening)
- ③ **M** FC250



⚠ When assembling on site, press-fit using a hydraulic press.

- M** S45C
- H** 55HRC~ (Induction hardening)



Type	D	L
MGOH MGOHP MGO	25	80 90 100 110 120
		130 140 150 160 170 180 200
	32	100 110 120 130 140
		150 160 170 180 200 220 250
	38	120 130 140 150 160 170 180
		200 220 250 280 300
	50	160 170 180 200 220 250
		280 300 350
	60	180 200 220 250 280 300
		350 400
	80	250 280 300 350
		400 450

ⓘ In accordance with safety standards for the transport of heavy items, ϕ 80 posts include M12 tap holes, and can be hoisted up for transport by means of lifting eye bolts.

D _{n5}	M	D	A	B	a	b	d	H	T	(Q)	E	F	G	h	ℓ	a ₁	b ₁	eH7	③ Provided bolts	④ Provided dowel pins	
25 $\begin{matrix} +0.024 \\ +0.015 \end{matrix}$	—	25	84	48	66	30	9	30	20	46	13	13	3	15	66	33	15	8	$\begin{matrix} +0.015 \\ 0 \end{matrix}$	CB 8—35	MSTM 8—30
32 $\begin{matrix} +0.028 \\ +0.017 \end{matrix}$	—	32	100	58	76	36	11	40	20	56	15	15		20	76	38	18	8		CB10—40	MSTM 8—30
38 $\begin{matrix} +0.028 \\ +0.017 \end{matrix}$	—	38	130	75	100	44	11	50	25	73	18	18		25	100	50	22	10		CB10—45	MSTM10—40
50 $\begin{matrix} +0.033 \\ +0.020 \end{matrix}$	—	50	155	90	125	60	14	65	25	87	25	20	5	32.5	125	62.5	30	10	$\begin{matrix} +0.018 \\ 0 \end{matrix}$	CB12—50	MSTM10—40
60 $\begin{matrix} +0.033 \\ +0.020 \end{matrix}$	—	60	190	120	150	80	18	75	30	117	25	20		37.5	150	75	40	13		CB16—60	MSTM13—50
80 $\begin{matrix} +0.033 \\ +0.020 \end{matrix}$	12	80	230	150	180	110	22	100	35	145	30	25	50	190	90	55	16	CB20—75	MSTM16—60		

Type	Replacement parts					
	1 Post	2 Holder	3 Bushing	4 Retainer	5 Spring	6 Stopper
Guide post sets with oil grooves	MGOH	MGO	MGH	—	—	—
	MGOHP		MGHP	—	—	—



Type - D - L

MGOH - D50 - L220