
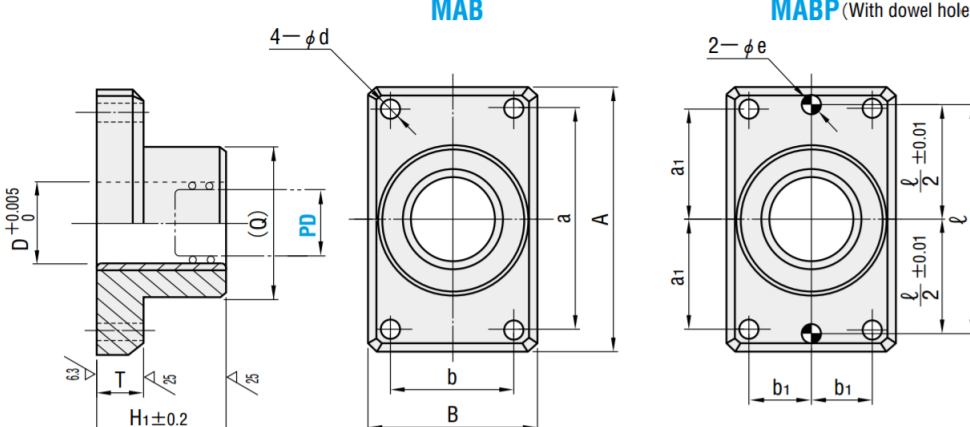


Ball guide bushings





MABP (With dowel hole)

Built-in bushing
M FC250 M SUJ2 H 58HRC~


(Q) values are reference only.

Type	PD	D	A	B	a	b	d	H1	T	(Q)	eH7	l	a1	b1		
MAB MABP	20	26	+0.005 0	74	44	56	30	6.6	50	15	42	6	+0.012 0	56	28	15
	25	31		84	48	66	30	9	50	20	46	8	+0.015 0	66	33	15
	32	40		100	58	76	36	11	60	20	56			100	50	22
	38	48		130	75	100	44	11	70	25	73			125	62.5	30
	50	60		155	90	125	60	14	90	25	87	13	+0.018 0	150	75	40
	60	70		190	120	150	80	18	100	30	117			150	75	40

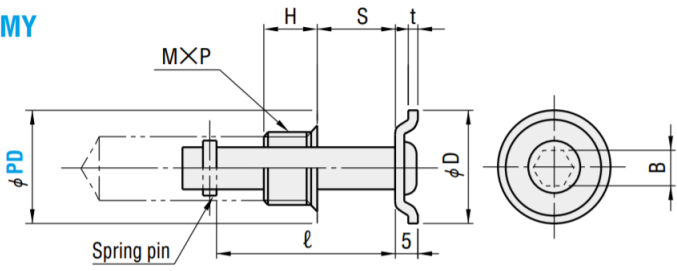
- ☎** Type - D
- MAB** - D50
 - MABP** - D38

Ball Guide Post Sets-Stoppers
鋼球獨立式導柱-檔板

Stoppers



STMY



MBS/MBJ	STMY	
Ball cage length	S	l
50	0~20	32
60	0~25	40
70	0~29	44
90	0~42	57

Type	PD-L	D	M×P	H	B	t
STMY	20-50	24	14×1.5	12	7	1.6
	25-50	29	16×1.5		8	
	32-60	37	20×1.5	15	10	
	38-70	44				
	50-90	56				

- ☎** Type - PD-L
- STMY** - 20-50