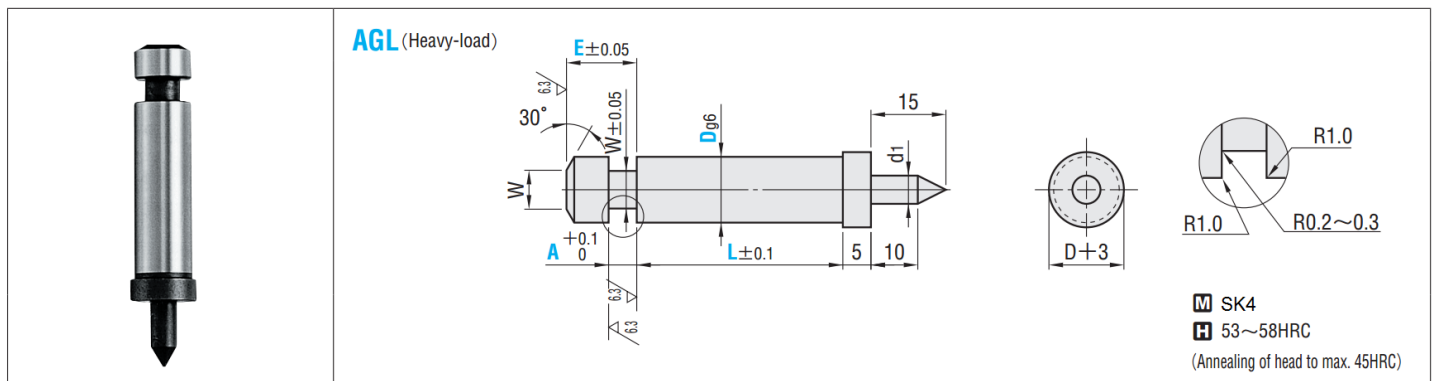


| D _{g6} | W | D ₁ | T | M×P | H | l ₁ | l ₂ | l _{max} | Type | D | 0.1mm increments | | |
|-----------------|------------------------|----------------|----|-----|-------|----------------|----------------|------------------|------|-----|------------------|-----------|---------|
| | | | | | | | | | | | L | A | |
| 6 | $-\frac{0.004}{0.012}$ | 3.6 | 8 | 3 | 3×0.5 | 5.5 | 15 | 9 | 6 | GLR | 6 | 20.0~60.0 | 0.5~3.0 |
| 8 | -0.005 | 5.0 | 10 | | 4×0.7 | 7.0 | | | | | | | |
| 10 | -0.014 | 6.0 | 13 | 8 | 8.5 | 21 | 11 | 10 | 10 | | 26.0~70.0 | 0.7~4.0 | |
| 13 | $-\frac{0.006}{0.017}$ | 7.0 | 16 | | | | | | 9 | | 5×0.8 | 10 | 13 |



Type - D - L - A

GLR - D10 - L36.5 - A3.5

Guide Lifter Punch-Detachable type
浮昇銷-裝卸型


| D _{g6} | W | d ₁ | Type | D | 0.1mm increments | | |
|-----------------|--------|----------------|------|----|------------------|----------|-----------|
| | | | | | L | A | E |
| 13 | -0.006 | 8 | AGL | 13 | 30.0~ 80.0 | 3.0~10.0 | 7.0~18.0 |
| 16 | -0.017 | 10 | | 16 | | 3.0~12.0 | 10.0~20.0 |
| 20 | -0.007 | 13 | | 20 | 30.0~ 90.0 | 3.0~15.0 | 10.0~23.0 |
| 25 | -0.020 | 16 | | 25 | 30.0~ 100.0 | 3.0~18.0 | 12.0~25.0 |

$$E - A - \frac{(D - W) \tan 30^\circ}{2} \geq 2$$



Type - D - L - A - E