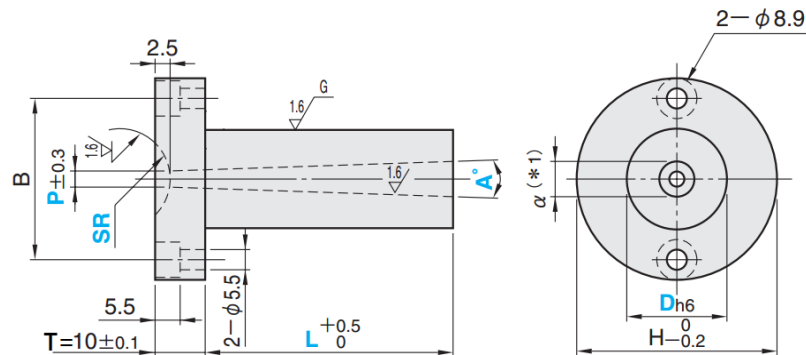


### Straight type



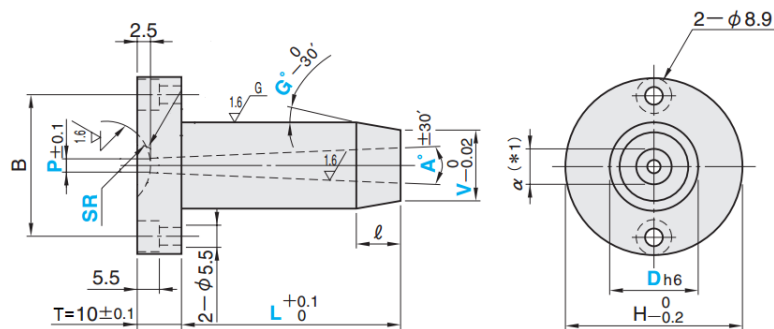
Type		M	H
Normal 一般型	String eliminator type 防拉絲型	S45C	-
<b>SJAC</b>	<b>SJACH</b>	S45C	-
<b>SJAD</b>	<b>SJADH</b>	SKD61	48-52HRC



### Tapered Type



Type		M	H
Normal 一般型	String eliminator type 防拉絲型	S45C	-
<b>SJGC</b>	<b>SJGCH</b>	S45C	-
<b>SJGD</b>	<b>SJGDH</b>	SKD61	48-52HRC



H	B	Dh6		Type	D	L 0.5mm increments	SR	P	A 0.5° increments	V 0.1 increments	G 1° increments
		8	0 -0.009								
35	25	8	0 -0.009	Straight type SJAC SJAD SJACH SJADH	8	0~80.0	0 10.5 11	2 2.5 3 3.5	1~3	0>V≥α+2	1~10
		10	0 -0.011		10		0 10.5 11 12	2 2.5 3			
		12			12		2 2.5 3				
		13	13		13		3.5 4 5				
50	36	16	0 -0.013	Tapered Type SJGC SJGD SJGCH SJGDH	16	0~120.0	0 10.5 11 12 13 16	3.5 4 4.5 5	1~4	Available for tapered type only	Available for tapered type only
		20			20						

(\*1) The value of α is set in accordance with L dimension.

(\*2) L dimension is restricted by P, V and A.

(\*3) L dimension limits

P	2	2.5	3	3.5~4.5
A	1	1.5~4.0	1	1.5~4.0
L limits	50	85	50	85

(\*4) Working limits

Straight type

Tapered type

D-α≥2

(Calculation of α value) α=P+2{L+(U)+7.5}tanA/2

U: with ZC alteration

V-α≥2

L-ℓ≥3 (Calculation of ℓ value) ℓ=(D-V)/2tan(G-0.25)



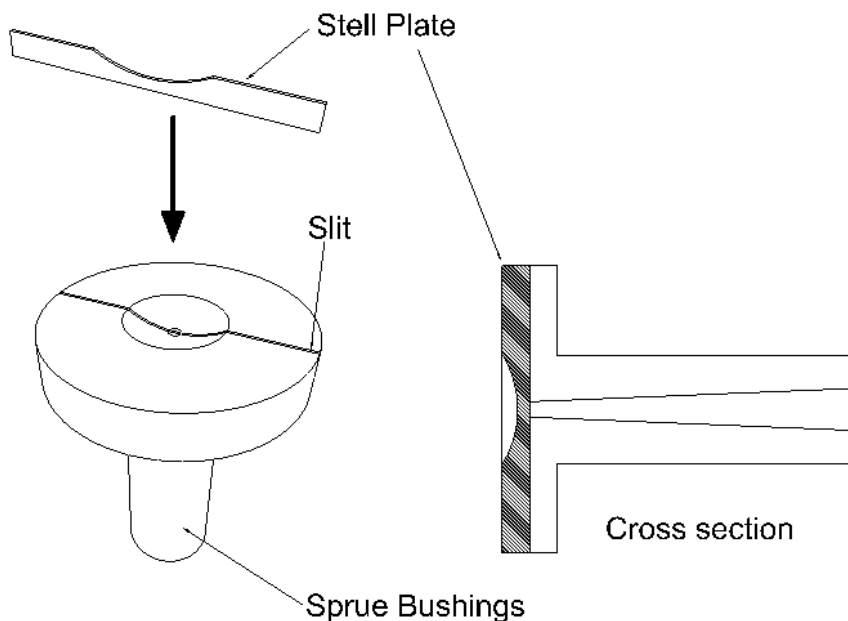
**Order: Type - D - L - SR - P - A - V - G - KC,BC...etc**

**Example: SJAD - D13 - L80 - SR12 - P3 - A2**

**SJGD - D16 - L100 - SR13 - P2.5 - A3 - V13 - G3**

**Features of sprue bushings with string eliminator type :**

防拉絲型說明



**Alterations 追加加工**

Alterations	Code	Spec.
	<b>BC</b>	Increases No. of bolt holes. No. of bolt holes:2->4 (supplied bolts:4) ⊗ Combination with NC not available
	<b>BN</b>	Decreases No. of bolt holes No. of bolt holes:2->0 (supplied bolts:0) ⚠ Available for equivalent of S45C
	<b>NC</b>	Dowel hole boring ⊗ Not available for string eliminator type
	<b>KP</b>	Dowel hole boring (longitudinal) ⊗ Not available for string eliminator type and NC ⚠ Available for equivalent of S45C
	<b>LKC</b>	Change L dimension tolerance $L^{+0.5}_{0} \dots L^{-0}_{-0.02}$

Alterations	Code	Spec.
	<b>KC</b>	Single flat cutting $D/2 \leq KC < 20$ ⊗ Combination with BC not available. ⊗ Not available for string eliminator type ⊗ Combination with NC, KP not available
	<b>WKC</b>	Two parallel flats cutting $D/2 \leq WKC < 20$ ⊗ Combination with BC not available. ⊗ Not available for string eliminator type ⊗ Combination with NC, KP not available
	<b>BIR</b>	Designation method <b>BXR2</b> ● R Choices + Bolt hole position ● Dowel hole position (When NC, KP code is used) KC position (When KC code is used)
	<b>BHR</b>	
	<b>BXR</b>	