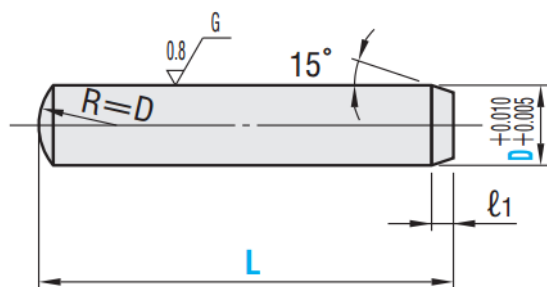


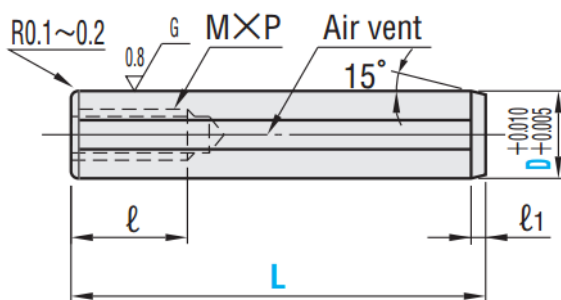
MS (Straight type)



M 52100
H 58HRC~

ℓ ₁	Catalog No.		L		
	Type	D			
0.4	MS	1	6 8 10		
0.6		1.5	6 8 10		
1.0		2		10 15	
				6 8 20	
		2.5	6 8 10 15 20		
1.5		3		25 30	
				6 8 10 15 20	
		4	8 10 15 20 25 30 35 40 45 50		
2.0		5		35 40 45 50	
				8 10 15 20 25 30	
		6	15 20 25 30 35 40 45 50 55 60		
2.5		8		30 40 50	
				10 15 20 25 35 45 55 60 65 70 80	
	10	40 50 60			
3.0	12		45 55 65 70 80		
			15 20 25 30 35 40 50 60		
	13	20 25 30 35 40 45 55 60 70 80			
3.5		30 40 50 60 70 80			

MSTP (Tapped precision type)



⚠ If L dimension is 10 with D5•6, the pilot hole for the tap may go all the way through.

M 52100
H 58HRC~

ℓ ₁	M × P	ℓ	D	Catalog No.		L	
				Type	D		
1.5	3 × 0.5	*6	+0.010 +0.005	MSTP	5	10 15 20 25 30	
					6	10 15 20 25 30 35 40 50	
2.0	4 × 0.7	*8			8	15 20 25 30 35 40 45 50 60 70 80	
					10	15 20 25 30 35 40 45 50 60 70 80	
2.5	5 × 0.8	10			12	20 30 40 50 60 70 80	
					13	40 50 60 70 80	
3.0	8 × 1.25	15			16	40 50 60 70 80	

⚠ * If D=5, then ℓ=6 is a value for reference only.

⚠ * Only if D=6 and L=10, then ℓ=6.