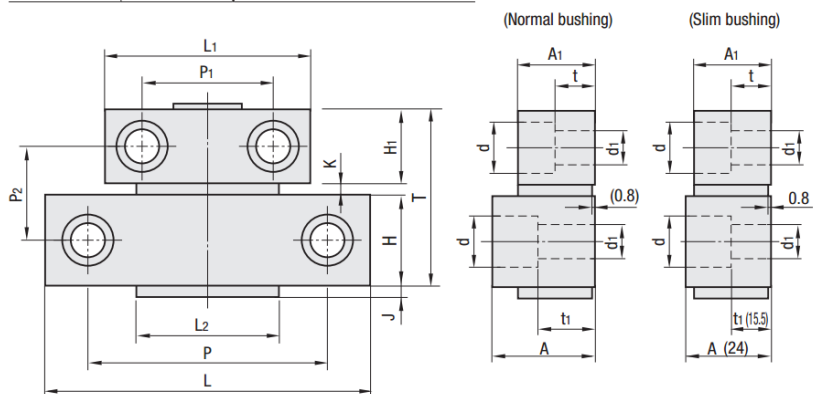


Type		Usage temperature
Normal bushing	Slim bushing	
MPLK	MPLKS	Use under temperature 80°C



Part Number		Max. usable load (2 sets under normal temp)	L	L ₁	L ₂	T	H	H ₁	J	K	P	P ₁	P ₂	A	A ₁	t	t ₁	d	d ₁	A
Type	No.																			
(Normal bushing) MPLK	10	981N {100kgf}	48	36	25	42	22	18	2	2	36	24	22	24	16	9.5	18	11	6.5	CB6—20 CB6—30
	20	1961N {200kgf}	54	42							40	28								
	30	2942N {300kgf}	65	46	35	48.5	25	20	3.5	50	31	34	24	19	9.5	15.5	14	9	CB8—25 CB8—30	
	60	5884N {600kgf}	73	50																56.5
	*80S	7845N {800kgf}	73	50	56.5	56.5	56.5	56.5	11.5	52	33	34	24	19	9.5	15.5	14	9	CB8—25 CB8—30	
	100	9807N {1000kgf}	103	65																48
(Slim bushing) MPLKS	30	2942N {300kgf}	65	46	35	48.5	25	20	3.5	3.5	50	31	26	24	19	9.5	15.5	11	7	CB6—25 CB6—30
	60	5884N {600kgf}	73	50							56.5	56.5								
	*80S	7845N {800kgf}	73	50	56.5	56.5	56.5	56.5	11.5	52			33	34	24	19	9.5	15.5	14	9

Part Number		Max. usable load (2 sets under normal temp)	L	L ₁	L ₂	T	H	H ₁	J	K	P	P ₁	P ₂	A	A ₁	t	t ₁	d	d ₁	A
Type	No.																			
(Normal bushing) MPLK	60L	5884N {600kgf}	73	50	35	79.5	25	20	3.5	34.5	52	33	57	27	19	9.5	17	14	9	CB8—30 CB8—35
	80	7845N {800kgf}				87.5				42.5										
	100L	9807N {1000kgf}	103	65	48	89	30	24	4	35	76	42	62	34	25	13	19	17	11	CB10—30 CB10—35


Order: Type - NO.
Example: MPLK - 30