
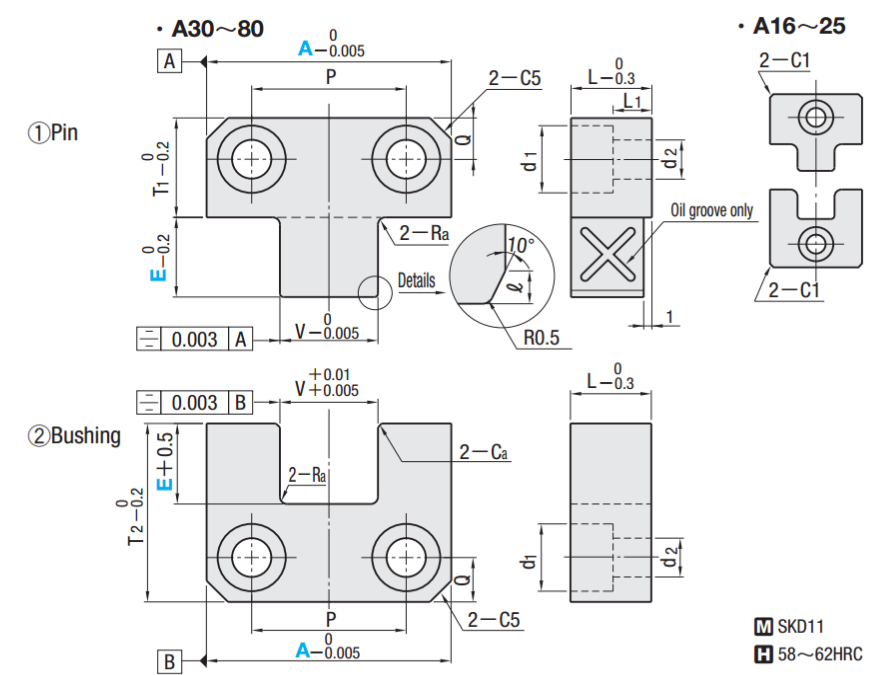


TSSB



TSSB



T V		Positioning precision (Clearance)	V dimension symmetry against A/B plane
① Pin	② Bushing		
0 -0.005	+0.01 +0.005	0.005 ~ 0.015	0.003 or less

V	T ₁	T ₂	ℓ	R _a	C _a	Bolt hole				Installation bolts	L	L ₁	Part Number		
						P	Q	d ₁	d ₂				Type	A	E
7	11	17	1	1	0.5	—	5	8	4.5	M4 bolt	8	3	TSSB	16	6
8		20												6	
10		25												8	
12	14	22	1	1	0.5	16	6	9.5	5.5	M5 bolt	10	4		30	8
		34												2	2
15	18	28	1	1	0.5	22	7	11	6.6	M6 bolt	13	6		40	10
		43												2	2
25	30	50	2	2	1	36	12	14	8.6	M8 bolt	20	11		60	20
		65												35	
30	40	70	2	2	1	52	14	18	11	M10 bolt	25	14		80	30
		85											45		