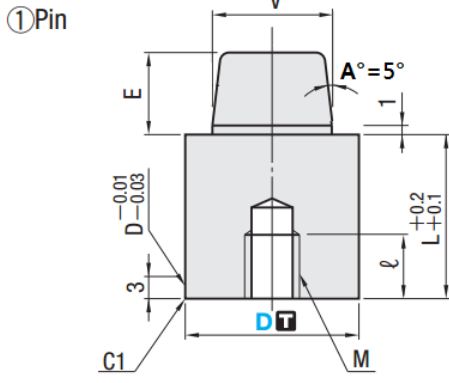
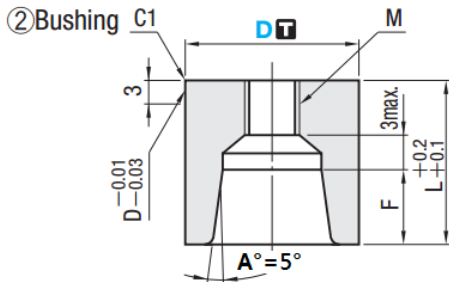
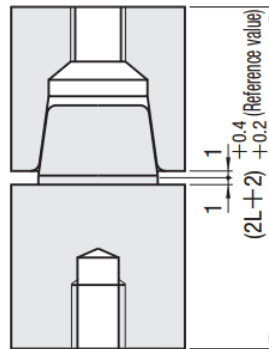


■ SUJ2

■ 58HRC~ (Induction hardening)



● Dimensions when combined



D	L	V	E	F	① Pin		② Setting tap for bushing
					M	ℓ	
13	14	7	6	5	M 4	10	M 4
16	14	10	6	5	M 5	10	M 5
20	19	13	9	8	M 6	12	M 6
25	24	16	12	11	M 8	16	M 8
30	29	20	15	14	M10	20	M10
32	29	20	15	14	M10	20	M10
35	34	24	18	17	M12	24	M12
42	39	30	24	23	M12	24	M12

Dk6	Part Number	
	Type	D
13	+0.012	13
16	+0.001	16
20	+0.015	20
25	+0.002	25
30		30
32	+0.018	32
35	+0.002	35
42		42

TPS



TYPE — D
TPS — 16