

Air Poppet Valves (Air Ventilation)

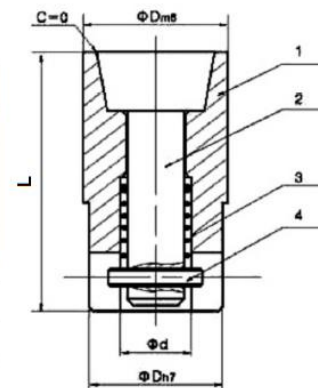


Material: SUS420 Hardness: 48-52HRC

Spec. (mm) 规格 (mm)

No.	Name	material
1	Shell	SUS420
2	ManDrill	SUS420
3	Spring	SUS304
4	Spring Pins	65Mn

D	8	10	12	16	18	20	25	30
L	15	20	25	30	35	35	45	45
d	4.5	7	7.7	10.3	12	12.9	14.9	18



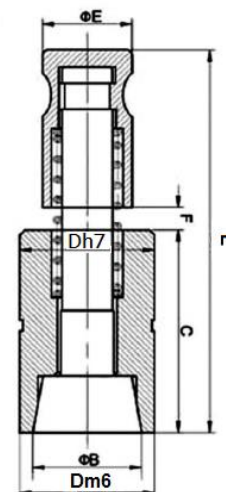
Type — D
APV — D8

DME Air Poppet Valves



Material: SUS420 Hardness: 48-52HRC

D	B	C	L	E	F
8	6.6	11	24	6	1
10	8	11	24	6	1
12	9.7	18	34	8	2
16	13	20	38	8	4
18	14.8	22	46	12	4
20	16	26	50	12	6
25	20	26	50	12	6



Type — D
DME-APV — D10

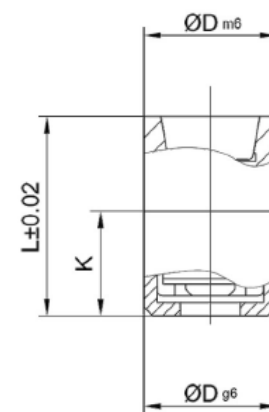
CUMSA Air Poppet Valves (Dowel)

CUMSA 氣頂風梢



Material: SUS420 Hardness: 48-50HRC

ΦD_{m6}		ΦD_{g6}		L	K
5	+0.012 +0.004	5	-0.004 -0.012	12	7
6		6			
8	+0.015 +0.006	8	-0.005 -0.014		
10		10			
12	+0.018 +0.007	12	-0.006 -0.017	20	12
16		16			
20	+0.021 +0.008	20	-0.007 -0.020		



Type — D
CUMSA-APV — D12

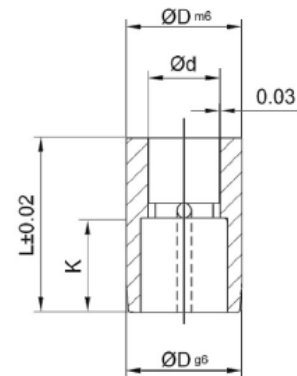
CUMSA Air Poppet Valves (Double Valves)

CUMSA 氣頂 (雙重閥)



Material: SUS420 Hardness: 48-50HRC

ØD _{m6}		ØD _{g6}		ø d	L	K
8	+0.015	8	-0.005	5.0		
10	+0.006	10	-0.014	6.0	12	7
12	+0.018	12	-0.006	8.0		
16	+0.007	16	-0.017	10.0	20	12



Type — D

CUMSA-APV-D — D12

HASCO Air Poppet Valves

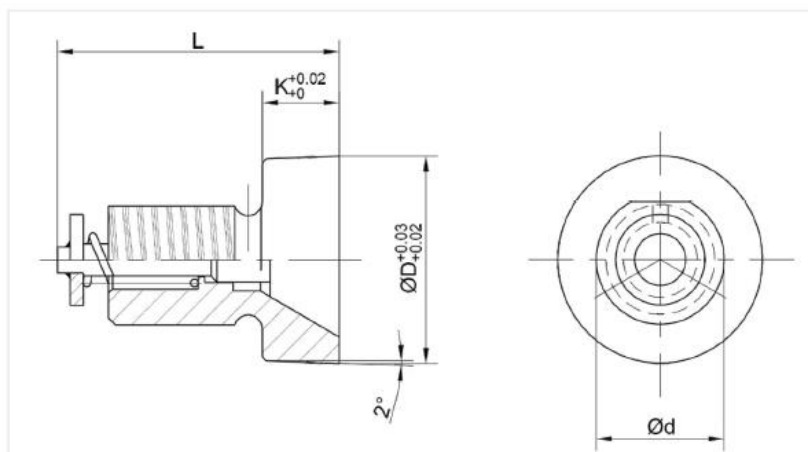
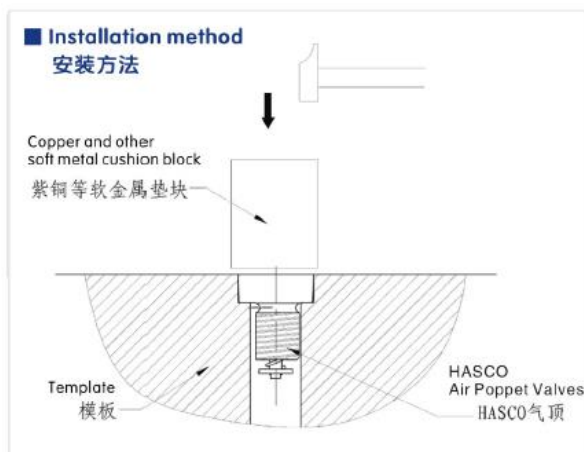
HASCO 氣頂



Material: beryllium copper+sus420
材質: 铍銅+SUS420

Spec. (mm) 規格 (mm)

øD ^{+0.03} / _{+0.02}	K ^{+0.02} / ₊₀	L	ø d
8	5.0	16	6.0
12	5.0	21	8.0
16	6.0	22	10.0



Type — D

HASCO-APV — D12