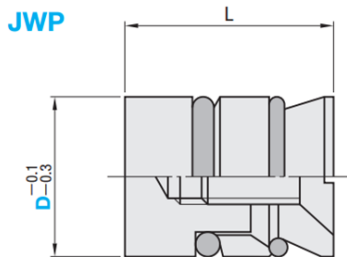


Cooling Circuit Plug
 止水栓




L	Part Number	
	Type	D
10	JWP	6
		8
		8.5
		10
		11.5
12		12
		14



Part Number

JWP8

Tapered Screw Plugs
 錐形沉頭螺塞



MSWT (Brass, tapered type)

Thread part : JIS B 0203
 Tapered thread R (PT) for tubing
 *However, the thread part of
 MSWT No. S is ANSI B2.2.
 tapered thread (NPT) for American tubing.

MSWT Brass (C3604)

D	a	No. of threads	Pitch	L	B	R(PT)	Part Number	
							Type	No.
7.723	0.45	28	0.91	6	4	1/16	MSWT	*J
7.779	0.47	27	0.94	6.4	4	1/16		*S
9.728	0.45	28	0.91	7	5	1/8	MSWT	1
13.157	0.7	19	1.34	8.9	6	1/4		2
16.662				10	8	3/8		3
20.955	0.9	14	1.81	12	10	1/2		4
26.441				14	14	3/4		6
33.249				16.5	17	1		8



Part Number

MSWT6

Quick Fitting
 氣動接頭



Type No.

PC6-01

Type No.	型號
PC6-01	PC10-01
PC6-02	PC10-02
PC6-03	PC10-03
PC6-04	PC10-04
PC8-01	PC12-01
PC8-02	PC12-02
PC8-03	PC12-03
PC8-04	PC12-04