

Magnetic Tools

54030

GVH

Magnetic V-block

GVH2

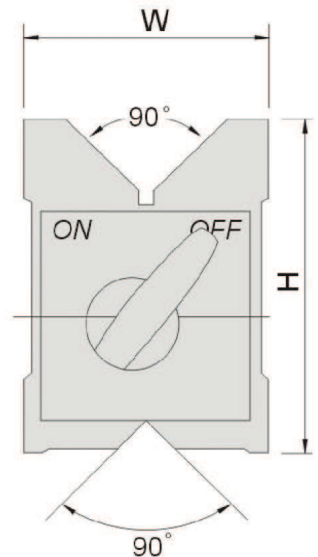
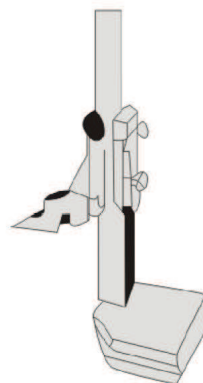
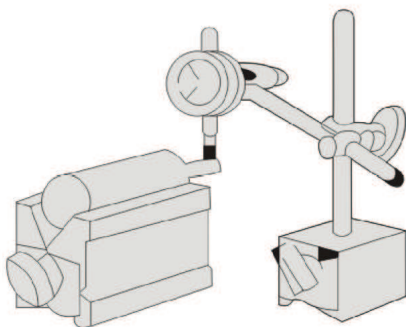
GVH1



GVH3

Features :

- ▶ Suitable for applying as a plate or 45° fixture and used as auxiliary tool for holding round, thin or shapes that difficult to hold.
- ▶ Light grinding, milling, tapping, drilling is applicable.
- ▶ Strong mag. force on top, bottom and V groove.
- ▶ Suitable for applying two types accuracy job, standard or special.
- ▶ On/Off switch, easy for operation and portable.



Unit:mm

Order No.	Model	Mag. Force		Specification			N.W.
		Round	Flat	W	H	L	
54030-10	GVH1	55kgf	70kgf	56	72	80	1.8kg
54030-20	GVH2	90kgf	110kgf	76	100	115	5.1kg
54030-30	GVH3	55kgf	70kgf	61	73	120	3.1kg