

**54932**

**BS**

**Universal Arm Magnetic Base**



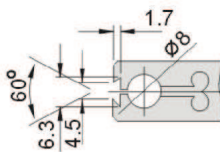
BS360

BS340

BS320

**Features :**

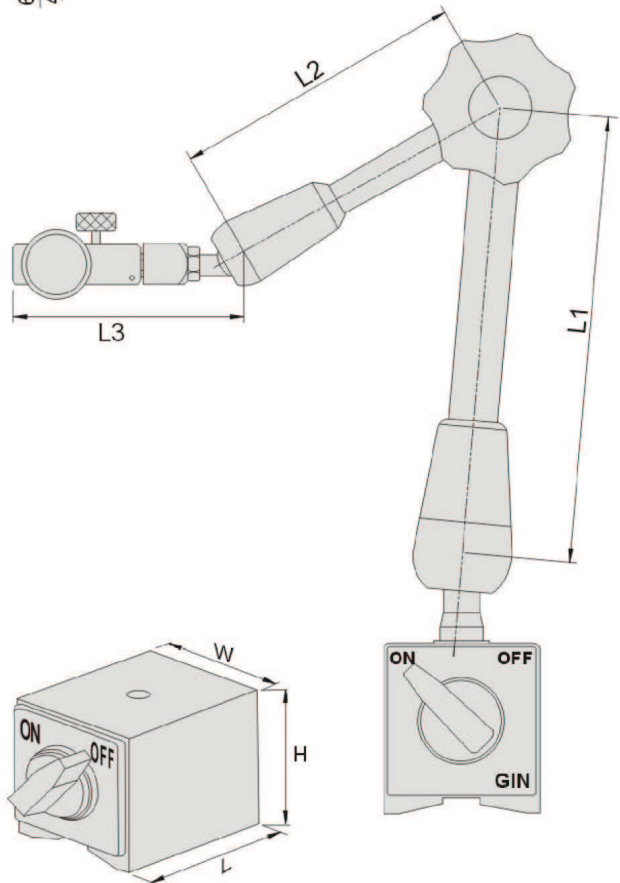
- ▶ Mechanical arm.
- ▶ Powerful ON-OFF magnetic base.
- ▶ Universal swivel clamp for all dial and test indicator.
- ▶ Holds  $\varnothing 8\text{mm}$  and  $1/4"$  dovetails and back lug.
- ▶ Instant fixation in any position.



BS360:



Optional accessory: P.D22  
Dial indicator



MAGNETIC TOOLS

Dial indicator please refer Page. D22~23

Unit:mm

Order No.	Model	Arm length		L3	Magnetic base spec.			Force (N)	N.W.
		L1	L2		L	W	H		
54932-01	BS320	112	102	65	60	50	55	80kgf	1.3kg
54932-02	BS340	135	110	70	60	50	55	80kgf	1.6kg
54932-03	BS360	145	130	80	80	50	55	100kgf	1.9kg