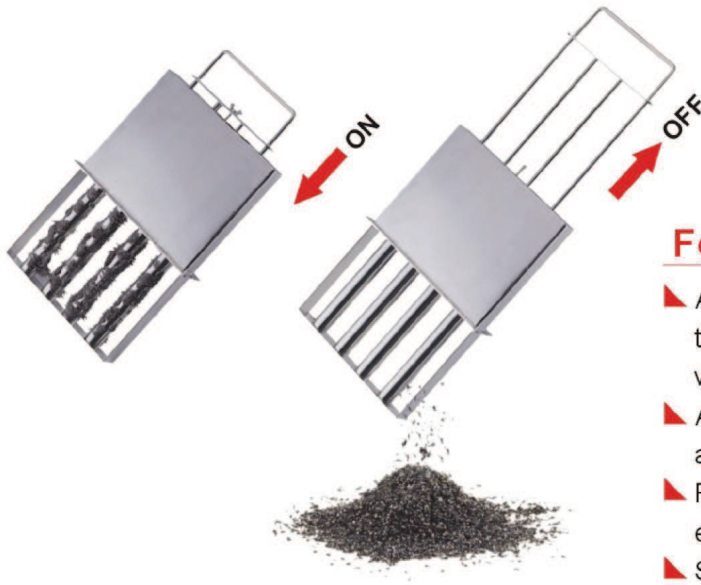


Magnetic Tools

54868

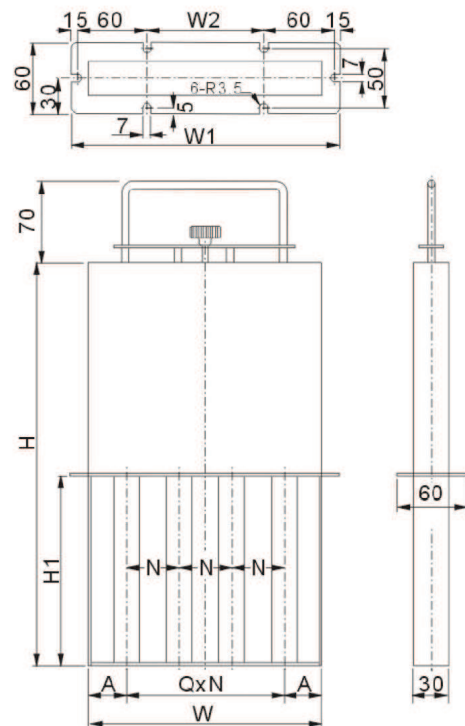
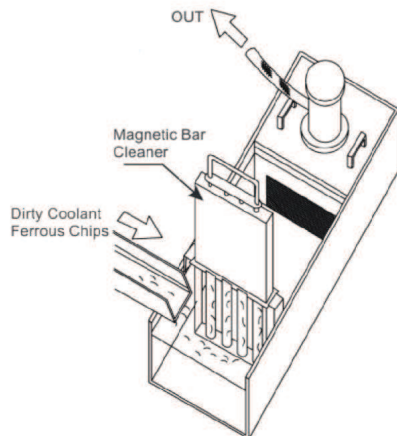
MBC

Magnetic Bar Cleaner



Features :

- ▶ Attracting metal powder left in the cutting fluid tanks of CNC lathes, EDMs, machining center and wire-cutting machines.
- ▶ Applying special power magnet with superb attraction in radial.
- ▶ Fence gate design makes chip disposal more efficient.
- ▶ Small in size can add extra equipment in existing machine.



Unit:mm

Example



Order No.	Model	A	H	H1	W	W1	W2	N Pitch	Q Bar Q'TY	N.W.
54868-02	MBC201604	32.5	340	160	200	155	100	45	4pcs	3.3kg
54868-04	MBC202504	32.5	520	250	200	155	100	45	4pcs	5.2kg
54868-06	MBC323006	35	620	300	320	350	220	50	6pcs	8.6kg
54868-08	MBC323706	35	760	370	320	350	220	50	6pcs	12.3kg