

Magnetic Tools

54834

HD620AD

Super Powerful Demagnetizer Machine(Plate Type)



Features :

- ▶ Ergonomic design with easy operation as well as the large range of effective area
- ▶ Automatic power save system
- ▶ Suitable for induction metal and molds etc...
- ▶ Demagnetizer and base can be purchase separately.

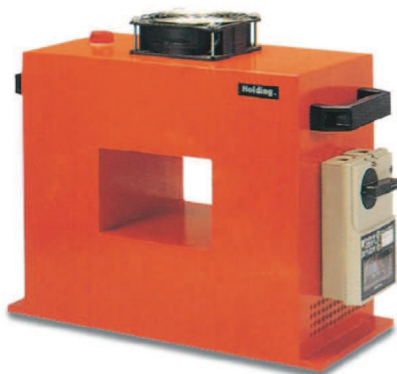
Unit:mm

Order No.	Model	Voltage	Current	Duty cycle	L	W	H	N.W.
54834-220	HD620AD	AC 220V 1PH	12A	Continuous	620	430	760	10.5kg
54834-380	HD620AD	AC 380V 1PH	12A		620	430	760	10.5kg

54836

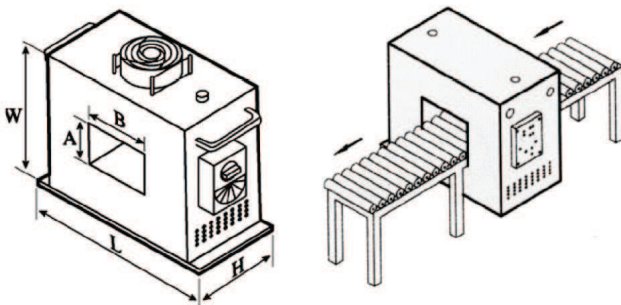
HD

Tunnel Type Demagnetizer



Features :

- ▶ Due to its unique design, suitable to apply on convey belt process and long item.
- ▶ Superb demagnetizing effect, especially for stainless steel.
- ▶ Demagnetizing plate steel, large mold, tools etc... Increase efficiency for mass production industry.
- ▶ Suitable for long period usage.



Unit:mm

Order No.	Model	Voltage	Current	Duty cycle	L	W	H	A	B	N.W.
54836-01	HD1015	AC 220V AC 380V	5A	Continuous	370	370	200	100	150	31kg
54836-02	HD1525		12A		470	370	200	150	250	52kg
54836-03	HD2545		18A		700	500	200	250	450	80kg
54836-04	HD2545A		32A		700	500	200	250	450	80kg