

# Magnetic Chuck

**54350**

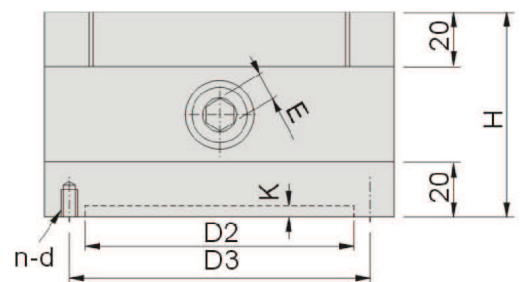
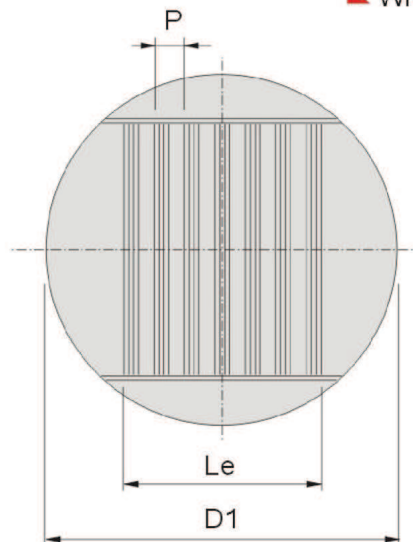
**HMTR**

**Powerful Circular Type Permanent Magnetic Chuck**



## Features :

- ▶ Suitable for Lathe, 4<sup>th</sup> axis CNC and diameter grinding machines.
- ▶ Suitable for holding workpieces of special alloy material such as Tungsten.
- ▶ Special design with ON/OFF structure, superb performance.
- ▶ High precision with strong magnetic force up to 3 times than general magnetic chuck.
- ▶ Wrench apply 360° rotary.



Unit:mm

Order No.	Model	D1	Le	Pitch	D2	D3	K	n-d	E	H	N.W.
54350-13	HMTR-13	130	78	11.2 (1.6+2+ 1.6+6)	100	112	4	4xM6	10	75	6.5kg
54350-16	HMTR-16	160	100		125	140	4	4xM8			9.8kg
54350-20	HMTR-20	200	128		160	180	4	4xM8			15kg