

54200

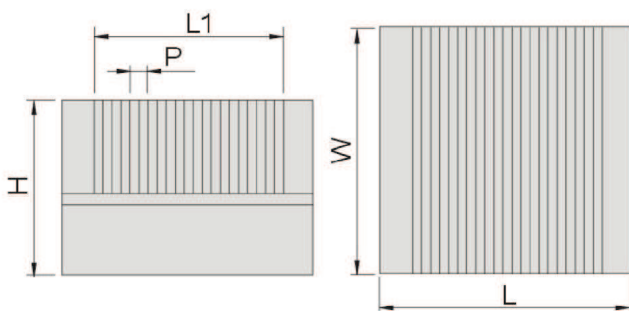
HMR

Permanent Magnetic Chuck(For Alloy Material)



Features :

- ▶ Suitable for alloy and other metal materials which are difficult to hold.
- ▶ The top plate is hard-welded to ensure stability and accuracy.
- ▶ Magnetic force is up to 3500 gauss.
- ▶ Stainless steel made plate, high rigidity and durability.
- ▶ No ON-OFF switch.



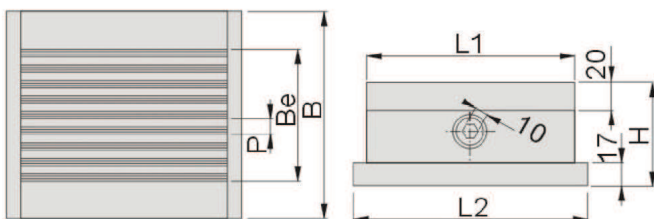
Unit:mm

Order No.	Model	Spec.	W	L	L1	Pitch	H	N.W.
54200-02	HMR-404	105X105	105	105	69	6 (1+1+ 1+3)	60	5.2kg
54200-04	HMR-407	105X180		180	145			9.0kg
54200-08	HMR-612	150X300	150	300	266			21.0kg

54210

HMTR

Super Powerful Permanent Magnetic Chuck



Features :

- ▶ Suitable for Tungsten and other metal materials which are difficult to hold.
- ▶ The top plate is hard-welded to ensure stability and accuracy.
- ▶ Magnetic force is up to 3500 gauss.
- ▶ On/Off switch design, turn 360°

Unit:mm

Order No.	Model	Spec.	B	Be	Pitch	L1	L2	H	N.W.
54210-02	HMTR-1010L	105X105	105	50.0	11.2 (1.6+2+ 1.6+6)	105	125	85	7.8kg
54210-04	HMTR-1313L	125X125	125	72.4		125	145	85	11kg
54210-06	HMTR-1320L	125X200	125	72.4		200	220	85	16.3kg
54210-08	HMTR-1515L	150X150	150	94.8		150	170	75	13.9kg