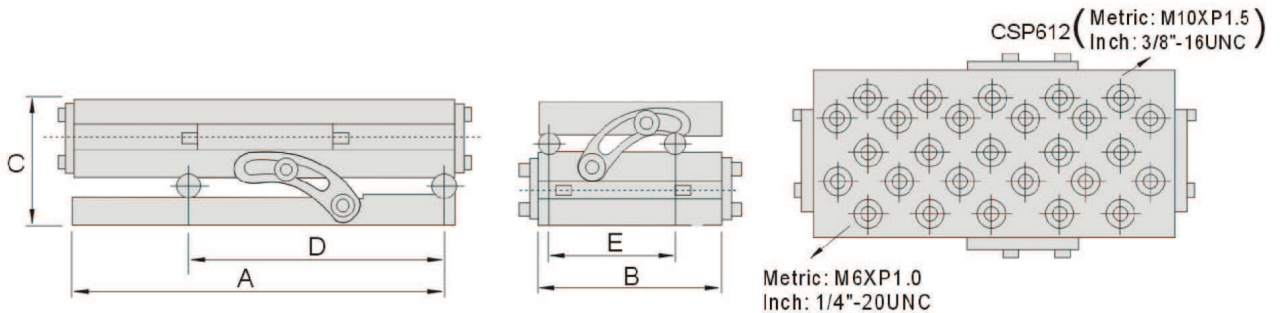




### Features :

- ▶ Widely applied on grinding or milling machines with compound angle adjustable.
- ▶ Made of quality steel, hardened to 55°- 58°.
- ▶ Parallelism within 0.005mm(0.0002") / 100mm
- ▶ Center distance of rolls within 0.005mm (0.0002").
- ▶ Adjustable angle 0-60°.



Metric	Inch
--------	------

Order No.	Model	A	B	C	D	E	N.W.
54100-10	CSP47	175	100	100	100	75	9.7kg
54100-15		7	4	4	5	3	
54100-20	CSP66	150	150	100	100	100	12.2kg
54100-25		6	6	4	5	5	
54100-30	CSP612	300	150	100	200	100	23.4kg
54100-35		12	6	4	10	5	