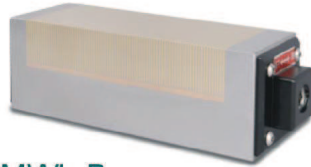


54060

MWL

Permanent Magnetic Chuck

MWL-A



MWL-B

MWL-C



(Wire cutting machine applicable)

Features :

- ▶ Suitable for applying in grinding, milling, EDM, Wire Cutting and measuring machines.
- ▶ Attractions are available on several faces and capable of holding small and thing workpieces. Attraction can be adjustable and prevent distortion.
- ▶ Suitable for processing 90° fixture.
- ▶ Applying two magnetic chucks for shifting processing, easier and efficient.
- ▶ Easily to disassemble workpieces when OFF, no magnetic force remained.

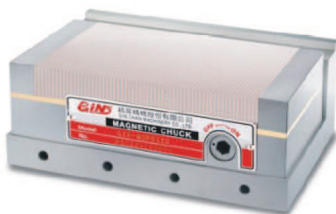
Unit:mm

Order No.	Model	Specification			N.W.
		L	W	H	
54060-01	MWL-A	135	50	60	3.5kg
54060-02	MWL-B	200	70	70	7.5kg
54060-03	MWL-C	190	46	54	3.7kg

54070

MWS

Permanent Magnetic Chuck(Vertical Type)

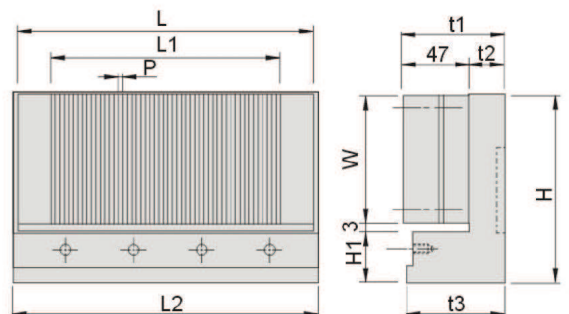


Features :

- ▶ Suitable for applying workpiece inspection of vertical auxiliary by using its magnetic force to achieve stability.
- ▶ Squareness and parallelism are within $\pm 0.002\text{mm}$.
- ▶ Sub-zero treatment and HRC56° ensure its accuracy, material SKD11 is applied for its base.

Unit:mm

Order No.	Model	W	L	L1	P	L2	t3	t1	t2	H	H1	N.W.
54070-10	MW307S	75	175	130	1+1	180	65	67	20	111	30	9.7kg
54070-20	MW407S	100	175	130	1+1	180	65	67	20	136	30	13kg
54070-30	MW510S	125	250	205	1+1	255	65	67	20	161	30	23kg



MAGNETIC TOOLS