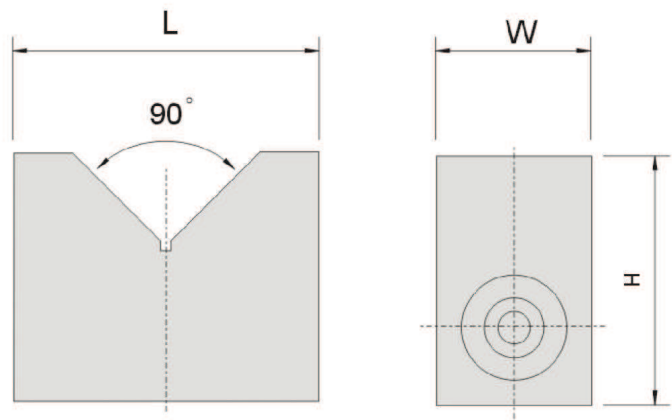


54040
GVH
Magnetic V-block
GVH40

GVH60


Features :

- ▶ GVH30/40/60 are suitable for applying long or round workpiece.
- ▶ Suitable for holding round or rectangle shape steel for precision measuring, marking and grinding.
- ▶ Two pieces in a set with uniform spec. for standard and accuracy.
- ▶ On/Off switch, easy for operation and portable.



Unit:mm

Order No.	Model	Mag. Force	Capacity	Specification			N.W.
				L	W	H	
54040-30	GVH30	15kgf	∅50	70	40	50	2kg
54040-40	GVH40	20kgf	∅80	100	50	80	6kg
54040-60	GVH60	23kgf	∅125	150	50	100	10kg