

**51550** PGAM Motor Punch Grinder



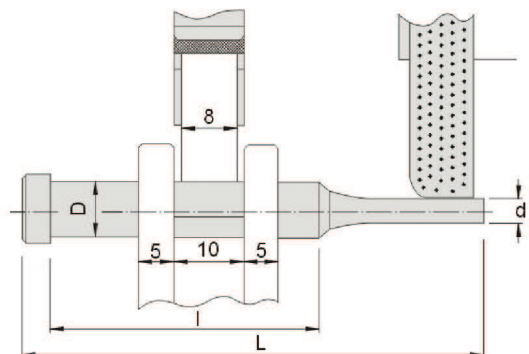
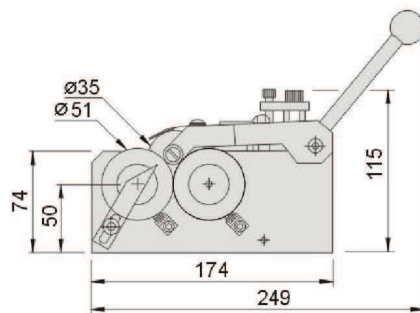
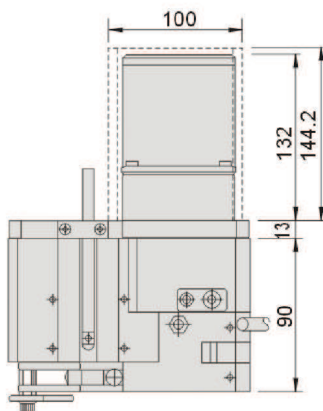
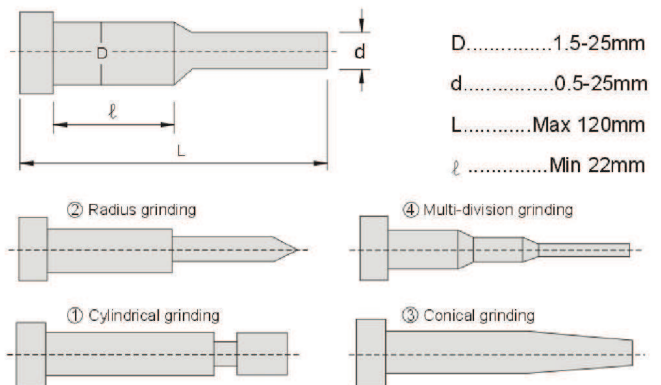
N.W. 10.2kg

**Features :**

- ▶ Motor Punch Grinder just by putting on surface grinding machine.
- ▶ No center alignment necessary . Just put work on rollers.
- ▶ Portable with single hand, thus easily set on grinding.
- ▶ With rollers motor-driven attention can be concentrated on table wheel feeds.
- ▶ Double roller unit available for long pin or punch grinding.
- ▶ It can be used with magnetic sine plate to grind various angle profile punch.

**Main parameters:**

Length of Workpiece .....	20-120mm
Outside Grinding Length .....	5-35mm
Grinding Diameter .....	1.5-25mm
Accuracy .....	0.005mm
Roller driving motor 110V/60HZ .....	129rpm
Roller driving motor 220V/50HZ .....	108rpm



Order No.	Model	Volts
51550-110	PGAM	AC110V 1Phase
51550-220		AC220V 1Phase

