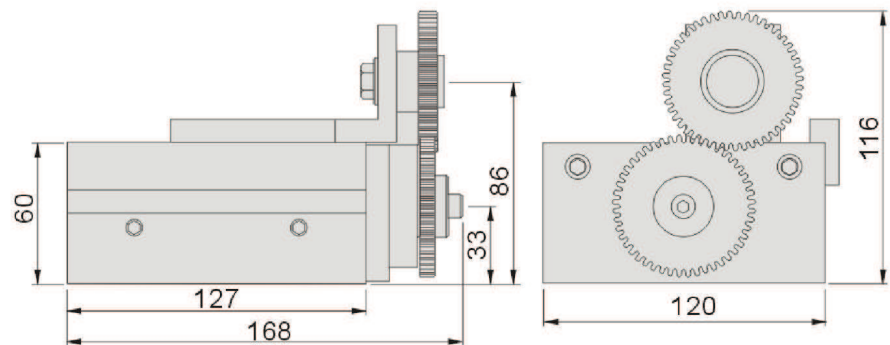
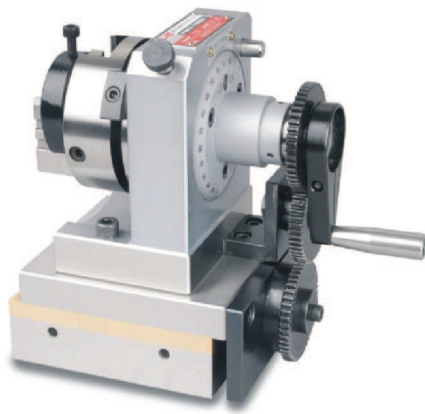


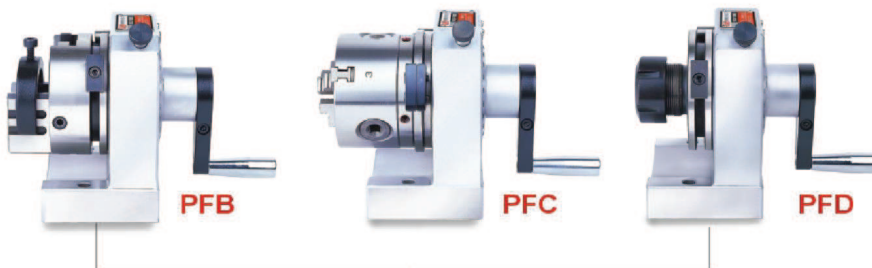
51320 GTF >> Replaceable type Thread Grinding Slider

Features :

- ▶ GTF SPF50 Sine Plate is designed for applying on Punch Formers (PFA, PFB, PFC & PFD) to make thread grinding.
- ▶ Depending the thread pitch needs, choosing appropriate accessories. (Pitch 0.5/0.7/0.8/1.0/1.25/1.5/1.75/2.0).
- ▶ Standard accessory: P 1.0, and two extra thread bars from abovementioned spec. , Dust proof cover is also included.
- ▶ Custom made thread bar is available.



PUNCH FORMER



Application examples:



Thread Bars



Examples:



N.W. 7.6kg

GTF 51320

Thread Grinding Slider.



51320-01 GTFB
N.W. 15.2kg



51320-02 GTFC
N.W. 15.2kg



51320-03/04/05 GTFD-ER16/32/40
N.W. 13.2kg
14.2kg
15.2kg

