

# 50850 GPFCM Motor 3-Jaws Center Punch Former



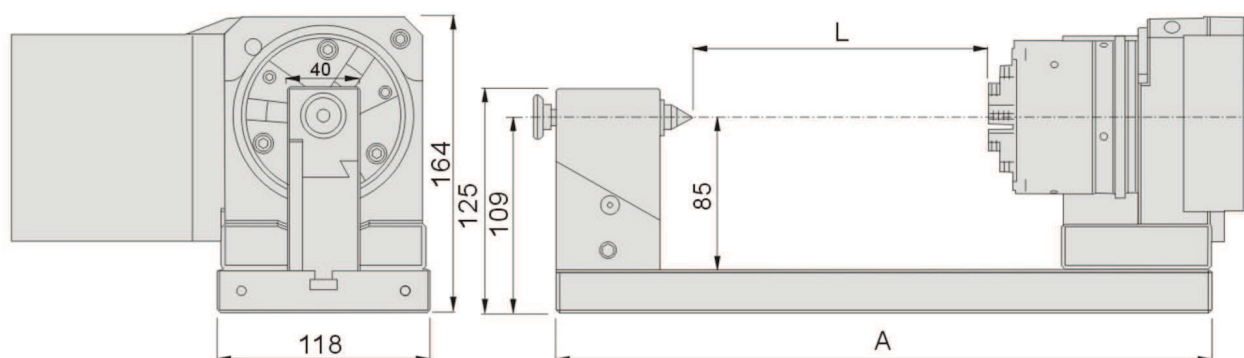
## Features :

- ▶ 3-Jaw Center Punch Former apply 3-Jaw Chuck to clamping workpieces with rapid and easy loading process.
- ▶ Motorised function prevent human fatigue when processing.
- ▶ Live center stabilize the processing and achieve higher accuracy.
- ▶ It is mainly apply on bushes and cylinder which needs precision cylindrical grinding on surface grinding machines.



## Main parameters:

|                                       |                   |
|---------------------------------------|-------------------|
| Center height without base .....      | 85mm              |
| Center height with base .....         | 109mm             |
| Motor output, Voltage15W .....        | 110/220V          |
| Motor speed .....                     | 50/60HZ 50~550RPM |
| Indexer tooth quantity & accuracy ... | SKS3, HRC60~62°   |
| Live Center clamping range .....      | 0~450mm           |
| Hole dia. of 3-Jaw Chuck .....        | ∅ 16mm            |
| Diameter of 3-Jaw Chuck .....         | 60mm              |
| Clamping range of 3-Jaw Chuck .....   | ∅ 1~82mm          |
| Material of 3-Jaw Chuck .....         | Meehanite         |
| Roundness .....                       | 0.002mm           |
| Parallelism .....                     | 0.002mm/100mm     |
| Squareness .....                      | 0.002mm/100mm     |



Unit:mm

| Order No.    | Model    | O.D. Range | I.D. Range | A   | L     | Rotary Angle | N.W.   |       |        |     |       |      |      |       |        |     |       |      |      |
|--------------|----------|------------|------------|-----|-------|--------------|--------|-------|--------|-----|-------|------|------|-------|--------|-----|-------|------|------|
| 50850-15-110 | GPFC150M | ∅2~70      | ∅24~64     | 375 | 0~150 | 360°         | 23kg   |       |        |     |       |      |      |       |        |     |       |      |      |
| 50850-15-220 |          |            |            |     |       |              |        |       |        |     |       |      |      |       |        |     |       |      |      |
| 50850-25-110 | GPFC250M |            |            |     |       |              |        | ∅2~70 | ∅24~64 | 475 | 0~250 | 360° | 26kg |       |        |     |       |      |      |
| 50850-25-220 |          |            |            |     |       |              |        |       |        |     |       |      |      |       |        |     |       |      |      |
| 50850-35-110 | GPFC350M |            |            |     |       |              |        |       |        |     |       |      |      | ∅2~70 | ∅24~64 | 575 | 0~350 | 360° | 29kg |
| 50850-35-220 |          |            |            |     |       |              |        |       |        |     |       |      |      |       |        |     |       |      |      |
| 50850-45-110 | GPFC450M | ∅2~70      | ∅24~64     | 675 | 0~450 | 360°         | 32.5kg |       |        |     |       |      |      |       |        |     |       |      |      |
| 50850-45-220 |          |            |            |     |       |              |        |       |        |     |       |      |      |       |        |     |       |      |      |