

**50085** PF550M Precision Motor 3-Jaws Punch Former



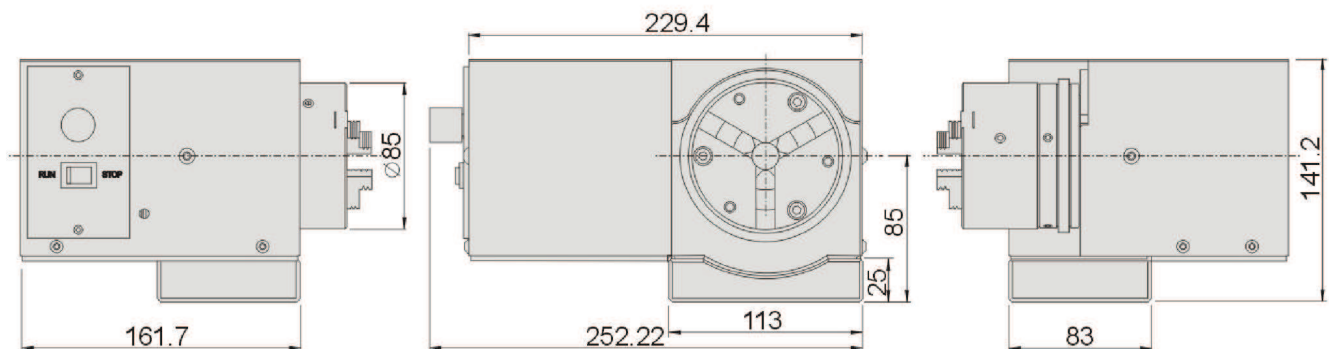
PUNCH FORMER

**Features :**

- ▶ PF550M have stronger structure leading lasting durability.
- ▶ 3-Jaw Chuck provide rapid clamping and it suitable for mass production, workpiece with round shaped can precisely & rapidly clamped.
- ▶ Due to accumulated tolerance when clamping different sizes of workpieces, special design in adjustment of horizontal and roundness for user own application.
- ▶ Jaw attachment can clamp workpeice with larger diameters.
- ▶ Motorised function prevent human fatigue when processing.
- ▶ Adopting high precision double bearings in its structure to achieve higher accuracy, rigidity and stability.

**Main parameters:**

Center height ..... 85 ± 0.5mm  
 Through hole diameters ..... Ø 16mm  
 Hole dia. of 3-Jaw Chuck ..... Ø 16mm  
 Min. clamping range O.D. Ø 2mm, I.D. Ø 24mm  
 Max. clamping range O.D. Ø 2mm, I.D. Ø 64mm  
 Motor : 110V/60Hz ..... 50~550RPM  
 Motor : 220V/50Hz ..... 50~550RPM  
 Rotational accuracy ..... 0.003mm  
 Repeat accuracy ..... 0.015mm



Order No.	Model	Chuck Spec.	Voltage	N.W.
50085-110	PF550M	SC03	110V	17kg
50085-220			220V	17kg