

品名：MC 精密油壓虎鉗
 型號：BHV

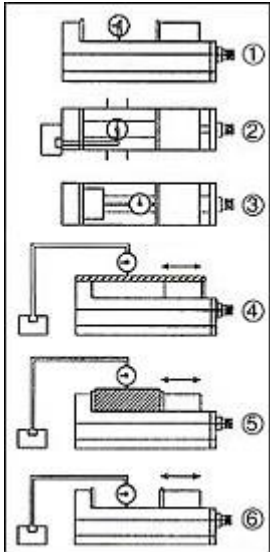
產品說明：

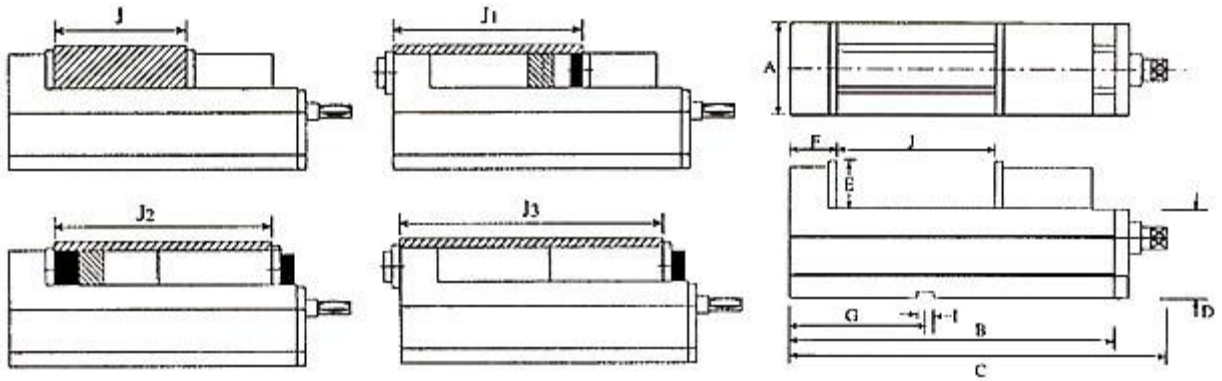
Features:

1. One piece casting of vise bed and flexed jaw.
2. Down thrust Semis-sphere Segment mechanism-eliminates jaw lift and work tilt.
3. Rigid material-vise body of ductile iron FCD60JIS (equal to GGG60) with 60 kgs/mm²
4. Vise bed flame with harden treatment up to HRC 45° and up takes up wear and maintain accuracy for long.
5. Chip cover is applied on this vise to prevent from chis falling to Leas screw and inside of vise.

Accuracy testing standard

NO	Item	JIS grade 1	Guaranteed
1	Vise side-lock on bottom to slide way square	0.020 100mm	0.010 100mm
2	Keyways on bottom of vise bed square to clamping surface of jaw plate	0.020 100mm	0.015 100mm
3	Both jaw plate parallel	0.020 100mm	0.020 100mm
4	Max opening test block parallel to bottom of vise body	0.050 100mm	0.030 100mm
5	Top of rectangular test block clamed tightly by jaw paralld to bottom of vise body	0.030 100mm	0.020 100mm
6	Surface of vise bed parallel to bottom of vise body	0.020 100mm	0.015 100mm





Hydraulic Type

Model	A	B	C	D	E	F	G	I	Jaw Opening (Max.)				Claming Force	Weight Body
									J	J1	J2	J3		
BHV-100	101	340	470	85	48	80	125	16	125	190	230	320	4000kgf	27kgs
BHV-130	131	405	535	95	55	85	150	18	180	240	290	380	5000kgf	40kgs
BHV-160	161	495	625	105	58	100	165	18	240	320	360	470	6500kgf	58kgs
BHV-200	201	570	700	110	63	108	190	18	280	360	420	540	8000kgf	87kgs