
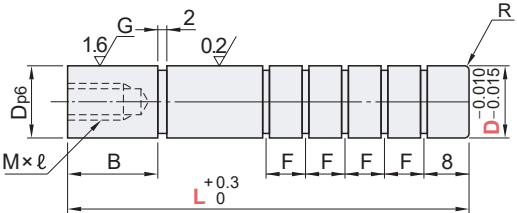


M	H
SUJ2	58HRC~



SGON (With oil grooves)



Number of grooves								
D	L	40~	50~	70~	80~	90~	160~	180~
8		2	3	4	5	6	—	—
10		2	3	4	5	6	—	—
13		2	3	4	5	6	7	8
16		2	3	4	5	6	7	8
20		2	3	4	5	6	7	8
25		2	3	4	5	6	7	8

(※) L40 ~ 119.5 → F = 8
L120 ~ L(C) max. → F = 10

M	H
SUJ2	58HRC~

Dp6	R	B	M × l	TYPE	D	L						
8	+ 0.024 + 0.015	1.0	10	M5 × 12 P0.8	SGPN	8	40	50	60			
								70	80			
10	13	M6 × 15 P1.0	10	40		50	60	70	80			
								90	100			
13	+ 0.029 + 0.018	1.5	16	M6 × 15 P1.0		SGON	13	40	50	60	70	
											80	90
16	20	M8 × 20 P1.25	16	M8 × 20 P1.25		SGON	16	50	60	70	80	
											90	100
20	+ 0.035 + 0.022	2.0	25	M8 × 20 P1.25	SGON	20	60	70	80	90	100	
												110
25	28	M8 × 20 P1.25	25	M8 × 20 P1.25	SGON	25	70	80	90	100		
										110	120	130



Order Example

TYPE	D	L
SGPN	- D16	- L100