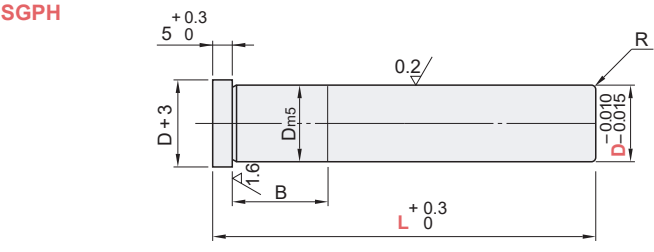



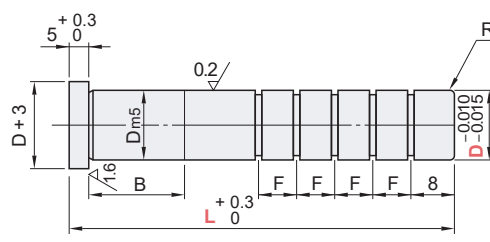
SGPH



M	H
SUJ2	58HRC~



SGOH (With oil grooves)



M	H
SUJ2	58HRC~

D	Number of grooves						
	40 ~	50 ~	70 ~	80 ~	90 ~	160 ~	180 ~
8	2	3	4	5	6	—	—
10	2	3	4	5	6	—	—
13	2	3	4	5	6	7	8
16	2	3	4	5	6	7	8
20	2	3	4	5	6	7	8
25	2	3	4	5	6	7	8

(※) L40 ~ 119.5 → F = 8
L120 ~ L(C) max. → F = 10

Dm5	R	B	TYPE	D	L
8	+ 0.012 + 0.006	1.0	SGPH	8	40 50 60
					70 80
10	1.5	13		10	40 50 60 70 80
					90 100
13	+ 0.015 + 0.007	1.5		13	40 50 60 70
					80 90 100
16	+ 0.017 + 0.008	2.0		16	50 60 70 80
					90 100 110 120
20	2.0	25		20	60 70 80 90 100
					110 120
25	2.0	28	25	70 80 90 100	
				130 140	
					110 120
					130 140



Order Example

TYPE	D	L
SGPH	- D16	- L100