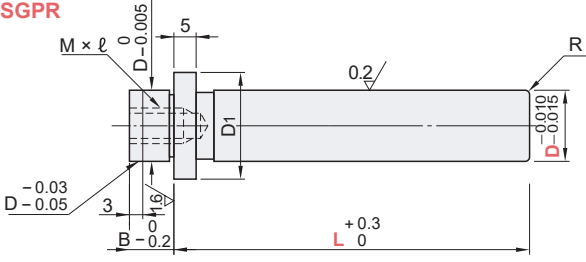



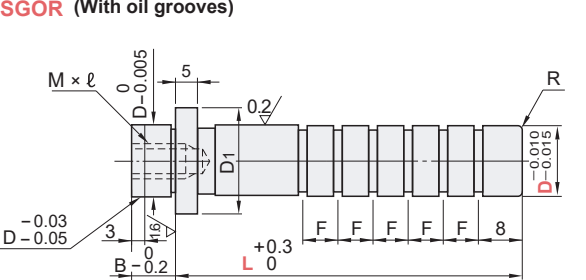
SGPR



M	H
SUJ2	58HRC~



SGOR (With oil grooves)



		Number of grooves				
D	L	30 ~	40 ~	60 ~	70 ~	80 ~
8		2	3	4	5	—
10		2	3	4	5	6
13		2	3	4	5	6
16		2	3	4	5	6
20		2	3	4	5	6
25		2	3	4	5	6

(※) L(C)30 ~ 119.5 → F = 8
L120 ~ L(C) max. → F = 10

M	H
SUJ2	58HRC~

M x l Pitch	D1	R	B	TYPE	D	L							
M5 x 12 P0.8	13	1.0	8	SGPR	8	30	40	50					
								60	70				
16	10	30	40		50	60			70	80			
							70	80					
M6 x 15 P1.0	20	1.5	10		13			40	50	60			
										70	80	90	100
	23				16			40	50	60			
										70	80	90	100
M8 x 20 P1.25	27	2.0	13		20			50	60	70	80		
										90	100		
	32			16					110	120			
									60	70	80		
								90	100				
										110	120		



Order Example

TYPE	D	L
SGPR	- D20	- L100