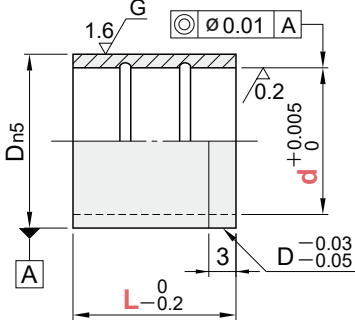



SGBA (Press-fit type)

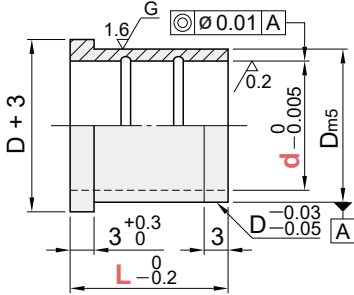


M	H
SUJ2	58HRC~

Dn5		Catalogue No.		L						
		TYPE	d							
12	+0.020 +0.012	SGBA	8	10	13	16	20			
14			10	10	13	16	20	25		
18			13		13	16	20	25		
22	+0.024		16			16	20	25	30	
25	+0.015		20				20	25	30	
32	+0.028 +0.017		25					25	30	35



SGBH (Press-fit type)



M	H
SUJ2	58HRC~

Dm5		Catalogue No.		L								
		TYPE	d									
12	+0.015 +0.007	SGBH	8	10	13	16	20					
14			10	10	13	16	20	22	25			
18			13		13	16	20	22	25	30	35	
22	+0.017		16			13	16	20	22	25	30	35
25	+0.008		20				16	20	22	25	30	35
32	+0.020 +0.009		25					20	22	25	30	35



Order Example

TYPE	d	L
SGBH	- d10	- L16