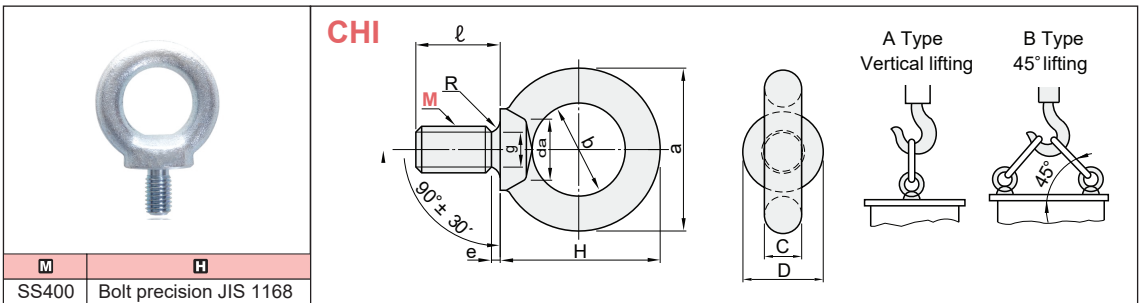


H	B	P	Y	TYPE	D	L											
4	2	1.5	1.0	RLP	2	15	20	25	30	35	40						
5		2.3	1.8		3	15	20	25	30	35	40	45	50				
6	2.5	2.8	2.3		4		20	25	30	35	40	45	50	60	70	80	
7	3	3.3	2.8		5		20	25	30	35	40	45	50	60	70	80	
8		3.8	3.0		6				30	35	40	45	50	60	70	80	
10	4	5.8	5.0		8				30	35	40	45	50	60	70	80	

**Order Example**

TYPE	D	L
RLP	- D3	- L25



Catalog No.	
TYPE	M
CHI	6
	8
	10
	12
	16
	20
	24
	30
	36
	42
48	

**Order Example**

TYPE
CHI20