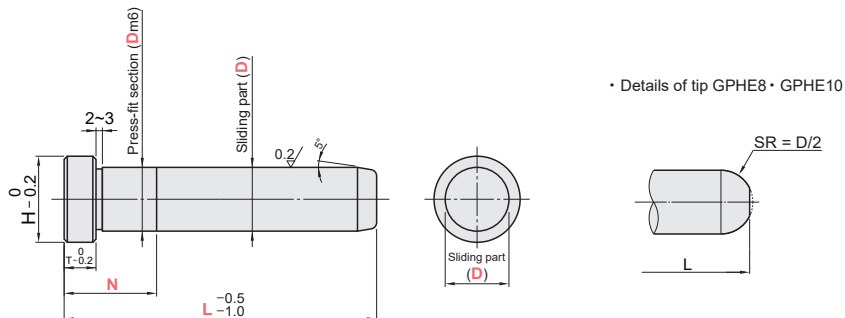


M	H
SUJ2	58HRC ~

GPHE



Leader & Ejector Space Components

Sliding parts D		Press-fit section Dm6		T	H	TYPE	D	L 5mm increments	N 1mm increments
8	- 0.013	8	+ 0.015	5	11	GPHE	8	30 ~ 80	5 ~ 60
10	- 0.022	10	+ 0.006		13		10	30 ~ 80	
12	- 0.016 - 0.027	12	+ 0.018		17		12	30 ~ 200	5 ~ 80
13		13	+ 0.007		18		13	30 ~ 200	
16		16		8	21		16	30 ~ 250	8 ~ 80
20	- 0.020 - 0.033	20	+ 0.021		25		20	30 ~ 300	8 ~ 100
25		25	+ 0.008		30		25	40 ~ 350	8 ~ 120
30		30			35		30	50 ~ 400	8 ~ 130
35	- 0.025 - 0.041	35	+ 0.025		40		35	60 ~ 450	8 ~ 130
40		40	+ 0.009		10		40	80 ~ 500	10 ~ 200
50		50		12	50	100 ~ 500	12 ~ 200		
60	- 0.030 - 0.049	60	+ 0.030 + 0.011	15	65	60	200 ~ 500	15 ~ 200	



Order Example

TYPE	D	L	N
GPHE	- D30	- L250	- N40