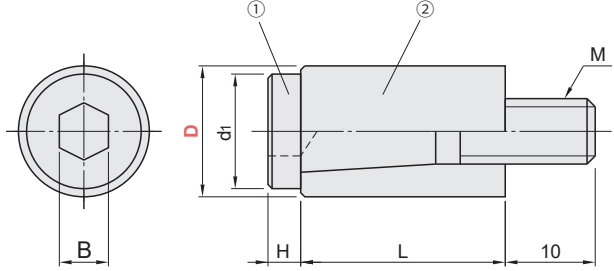


PL



	M
①	SCM435
②	High grade Nylon (PA66) Temperature to be used: up to 80

d1	M	B	L	H	Part Number	
					Type	D
8.5	5	4	18	3	PL (SET) ①+②	10
11.5	6	5	20	3.2		13
14	8	6	25	4		16
18	10	6	30	4		20

■ Tapered Bolts for PL Parting Lock (Component)

Part Number	
TYPE	No.
PLB ① (Tapered bolt only)	10
	13
	16
	20

■ Resin Sleeves for PL Parting Lock (Component)

Part Number	
TYPE	D
PLP ② (Resin sleeve only)	10
	13
	16
	20

📞 Order Example

TYPE	
①+② Set	- PL13
① Tapered bolt only	- PLB13
② Resin sleeve only	- PLP13