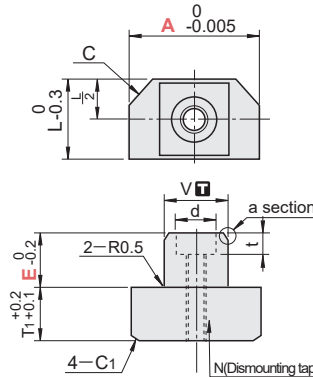


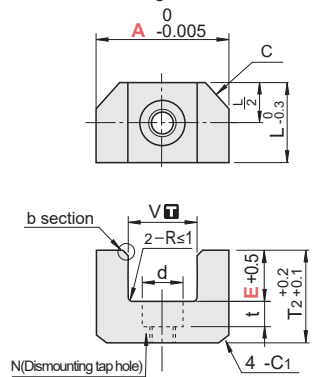


● A20 · 25 · 30

① Pin

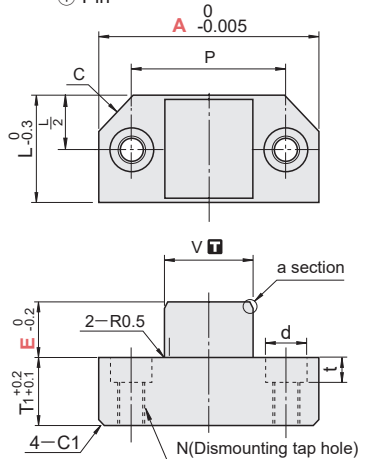


② Bushing

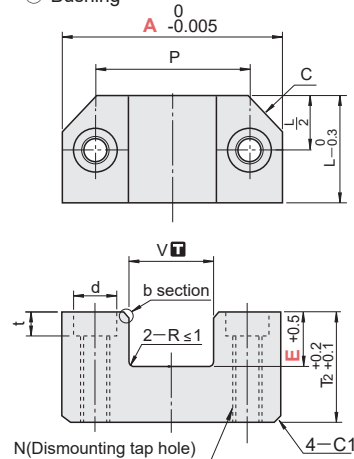


● A40 · 50

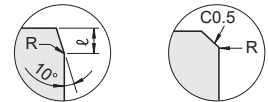
① Pin



② Bushing



Details of a section Details of b section



V T		Positioning Precision	M	H
① Pin	② Bushing			
0 -0.005	+ 0.01 + 0.005	0.005 ~ 0.015	SKD11	58 ~ 62HRC

L	T	T ₁	T ₂	V	ℓ	C	P	Bolt hole		Installation bolts	Tap N	Part Number		E
								d	t			Type	A	
12	23	8	14	10	0.5	4	—	6.5	3.5	M3 bolt	M4	TTSB	20	6
15	28	10	17	12	1			8	4.5	M4 bolt	M5		25	8
20	32	12	19	15	2	6	28	9.5	5.5	M5 bolt	M6		30	8
	43	17	25	40									15	
25	46	17	28	20	2	6	35	9.5	5.5	M5 bolt	M6		50	15



Order Example

TYPE	E
TTSB25 - 8	8