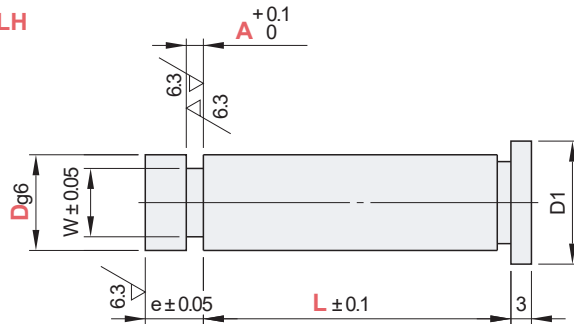




GLP - GLH



GLP (Standard)

GLH (Configurable L-A dimensions)

<b>M</b>	<b>H</b>
SK4	53 ~ 58HRC (Annealing of head to max. 45 HRC)

Standard type

Dg6	e	W	D1	TYPE	D	L																A			
						4	10	15	20	22	25	28	30	33	35	36	40	45	50	55	60	70	0.5	0.8	1.0
4	-0.004	5	2.0	6	GLP	4	10	15	20	22	25	28	30	33	35	36	40	45	50		0.5	0.8	1.0		
6	-0.012					6	10	15	20	22	25	28	30	33	35	36	40	45	50				0.5	0.8	1.0
8	-0.005	7	5.0	10		8	10	15	20	22	25	28	30	33	35	36	40	45	50	55	60	1.0	1.6	2.0	
10	-0.014					10			20	22	25	28	30	33	35	36	40	45	50	55	60			1.6	2.0
13	-0.006	12	7.0	16		13				20	22	25	28	30	33	35	36	40	45	50	55	60	2.0	2.5	3.6
16	-0.017					16						30	33	35	36	40	45	50	55	60	70			2.0	2.5
20	-0.007 -0.020	10.0	23			20								33	35	36	40	45	50	55	60	70	3.6	5.0	

Configurable L-A dimensions type

Dg6	e	W	D1	TYPE	D	L	A	
						0.1mm increments	0.1mm increments	
4	-0.004	5	2.0	6	GLH	4	10.0 ~ 55.0	0.5 ~ 2.0
6	-0.012					6	10.0 ~ 75.0	0.5 ~ 3.0
8	-0.005	7	5.0	10		8	10.0 ~ 75.0	0.7 ~ 4.5
10	-0.014					10	10.0 ~ 90.0	0.7 ~ 4.5
13	-0.006	12	7.0	16		13	10.0 ~ 90.0	1.0 ~ 6.0
16	-0.017					16	10.0 ~ 100.0	1.0 ~ 6.0
20	-0.007	13.0	28			20	15.0 ~ 100.0	1.0 ~ 6.0
25	-0.020					25	15.0 ~ 100.0	1.0 ~ 6.0



Order Example

TYPE	D	L	A
GLP	- D6	- L25	- A1.6
GLH	- D13	- L60.5	- A3.0