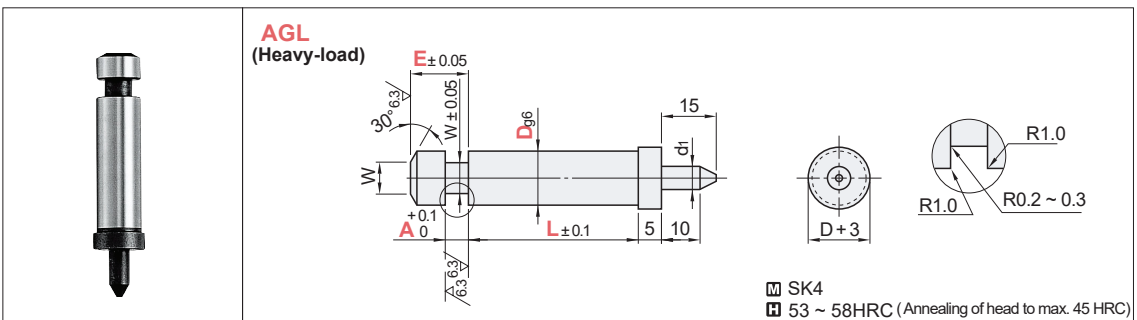


| Dg6 | W | D1 | T | M x P | H | l1 | l2 | l max | TYPE | D | 0.1mm increments | |
|-----|------------------|-----|----|---------|-----|----|----|-------------|------|-----------|------------------|-----------|
| | | | | | | | | | | | L | A |
| 6 | -0.004 -0.012 | 3.6 | 8 | 3 x 0.5 | 5.5 | 15 | 9 | 6 | GLR | 6 | 20.0 ~ 60.0 | 0.5 ~ 3.0 |
| 8 | -0.005 -0.014 | 5.0 | 10 | | | | | | | 8 | | 0.7 ~ 4.0 |
| 10 | -0.006 -0.017 | 6.0 | 13 | 4 x 0.7 | 7.0 | 11 | 10 | 26.0 ~ 70.0 | | 1.0 ~ 6.0 | | |
| 13 | -0.006 -0.017 | 7.0 | 16 | 5 x 0.8 | 8.5 | 10 | 13 | 26.0 ~ 80.0 | | | | |



Order Example

| TYPE | D | L | A |
|------|-------|---------|--------|
| GLR | - D10 | - L36.5 | - A3.5 |



| Dg6 | W | d1 | TYPE | D | 0.1mm increments | | |
|-----|--------|----|------|----|------------------|------------|-------------|
| | | | | | L | A | E |
| 13 | -0.006 | 8 | AGL | 13 | 30.0 ~ 80.0 | 3.0 ~ 10.0 | 7.0 ~ 18.0 |
| 16 | -0.017 | 10 | | 16 | | 3.0 ~ 12.0 | 10.0 ~ 20.0 |
| 20 | -0.007 | 13 | | 20 | 30.0 ~ 90.0 | 3.0 ~ 15.0 | 10.0 ~ 23.0 |
| 25 | -0.020 | 16 | | 25 | 30.0 ~ 100.0 | 3.0 ~ 18.0 | 12.0 ~ 25.0 |



Order Example

| TYPE | D | L | A | E |
|------|-------|---------|--------|---------|
| AGL | - D16 | - L35.5 | - A4.5 | - E10.0 |