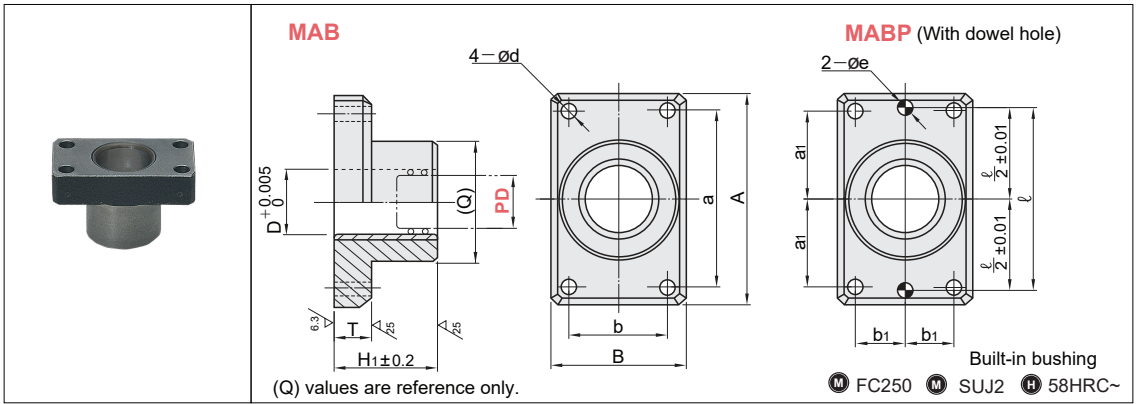


Catalog No.		A	B	a	b	d	H	T	(Q)	M	eh7	ℓ	a1	b1		
TYPE	Dk6															
MGH MGHP	20	+0.002	74	44	56	30	6.6	30	15	42	8	6	+0.012 0	56	28	15
	25	-0.011	84	48	66	30	9	30	20	46		8	+0.015 0	66	33	15
	32		100	58	76	36	11	40	20	56				76	38	18
	38	+0.003	130	75	100	44	11	50	25	73	12	10	+0.018 0	100	50	22
	50	-0.013	155	90	125	60	14	65	25	87				125	62.5	30
	60	+0.004	190	120	150	80	18	75	30	116		13	150	75	40	
	80	-0.014	230	150	180	110	22	100	35	145		16	190	90	55	



Catalog No.		D	A	B	a	b	d	H1	T	(Q)	eh7	ℓ	a1	b1							
TYPE	PD																				
MAB MABP	20	26	+0.005 0	74	44	56	30	6.6	50	15	42	8	6	+0.012 0	56	28	15				
	25	31		84	48	66	30	9	50	20	46							+0.015 0	66	33	15
	32	40		100	58	76	36	11	60	20	56								76	38	18
	38	48			130	75	100	44	11	70	25	73	10	+0.018 0	100	50	22				
	50	60		155	90	125	60	14	90	25	87	125						62.5	30		
	60	70		190	120	150	80	18	100	30	116	13						150	75	40	



Order Example

TYPE	D
MGH38	
MAB50	