

l <sub>1</sub>	Catalog No.		L										
	Type	D											
0.4	MS	1	6	8	10								
0.6		1.5	6	8	10								
1.0		2	10 15										
		2.5	6	8	20								
			3	8	10	15	20						
				6	25	30							
1.5		4	10 15 20										
		5	6	8	25	30	35	40					
			8	10	15	20	25	30	35	40	45	50	
			8	35	40	45	50						
2.0		6	15 20 25 30										
2.5		8	8	10	35	40	45	50	55	60			
			30	40	50								
	10		15	20	25	35	45	55	60	65	70	80	
3.0	10	40 50 60											
		15	20	25	30	35	45	55	65	70	80		
3.5	12	40 50 60											
		20	25	30	35	45	55	70	80				
	13	40 50 60											
			30								70	80	

l <sub>1</sub>	M × P	l	D	Catalog No.		L												
				Type	D													
1.5	3 × 0.5	*6	+ 0.010 + 0.005	MSTP	5	10	15	20	25	30								
	2.0	4 × 0.7			*8	6	20 30											
5 × 0.8		10				15	25	35	40	50								
	2.5	6 × 1.0				10	8	30										
12							15	20	25	35	40	45	50	60	70	80		
					40													
					15		20	25	30	35	45	50	60	70	80			
					20		30	40	50	60	70	80						
					50													
13	40 60 70 80																	
3.0	8 × 1.25	15			16	40 50 60 70 80												

⚠ If D = 5, then l = 6 is a value for reference only.

⚠ Only if D = 6 and L = 10, then l = 6.



Order Example

TYPE	D	L
MS	- D2	- L20

**MST** (Tapped p6 type)

⚠ If L dimension is 10 with D5·6, the pilot hole for the tap may go all the way through.

M	H
SUJ2	45~50HRC

l <sub>1</sub>	l <sub>2</sub>	M × P	ℓ	Dp6	Catalog No.		L										
					Type	D											
1.5	0.5	3 × 0.5	*6	+0.020	MST	5	10 15 20 25 30										
		4 × 0.7		+0.012		6	20 30										
2.0	0.7	5 × 0.8	*8	+0.024 +0.015		8	30	15 20 25 35 40 50 60									
						10	40	70 80									
2.5	1.0	6 × 1.0	10	+0.029 +0.018		12	40	20 30 40 50 60 70									
						13	50	80	40 60 70								
3.0	1.0	8 × 1.25	15	+0.035 +0.022		16	60	40 50 60 70 80									
						20	80	40 50 60 70 80									

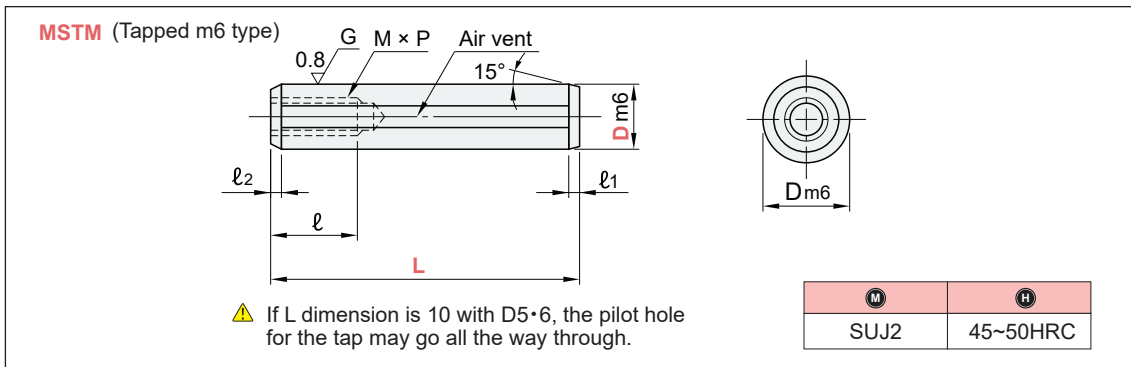
⚠ If D = 5, then ℓ = 6 is a value for reference only.

⚠ Only if D = 6 and L = 10, then ℓ = 6.



Order Example

TYPE	D	L
MST	- D6 -	L20



l <sub>1</sub>	l <sub>2</sub>	M × P	ℓ	Dm6	Catalog No.		L										
					Type	D											
1.5	0.3	3 × 0.5	*6	+0.012	MSTM	5	10 15 20 25 30										
		4 × 0.7		+0.004		6	20 30										
2.0	0.5	5 × 0.8	*8	+0.015		+0.006	8	30	15 20 25 35 40 45 50 60								
								70 80									
2.5	1.0	6 × 1.0	10	+0.018		+0.007	10	40	15 20 25 30 35 45 50 60 70								
								80									
	1.5	8 × 1.25	15	+0.018		+0.007	12	40	50 60 70								
								80									
3.0	1.5	10 × 1.5	18	+0.021		+0.008	13	50	60 70								
								80									
						16	60										
							20	40 50 70 80									
								50 60 70 80									

⚠️ If D = 5, then ℓ = 6 is a value for reference only.

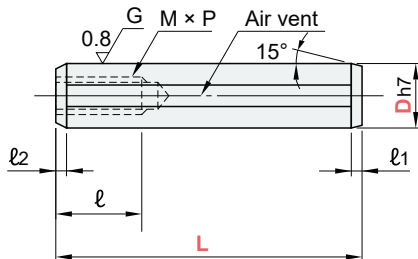
⚠️ Only if D = 6 and L = 10, then ℓ = 6.



Order Example

TYPE	D	L
MSTM	- D6	- L20

MSTH (Tapped h7 type)



⚠ If L dimension is 10 with D5-6, the pilot hole for the tap may go all the way through.

<b>M</b>	<b>H</b>
SUJ2	45~50HRC

ℓ <sub>1</sub>	ℓ <sub>2</sub>	M × P	ℓ	Dh7	Catalog No.		L
					Type	D	
1.5	0.3	3 × 0.5	*6	0 -0.012	MSTH	5	10 15 20 25 30
		4 × 0.7	*8			6	10 15 20 25 30 35 40
2.0	5 × 0.8	8		15 20 25 30 35 40 45			
		50 60 70					
2.5	0.5	6 × 1.0	10	0 -0.015		10	15 20 25 30 35 40 45
						50 60 70	
	1.0	8 × 1.25	15	0 -0.018		12	20 30 40
						50 60 70	
						80	
						100 120	
3.0	1.5	10 × 1.5	18	0 -0.021	13	40 50	
					60 70		
	1.5	10 × 1.5	18	0 -0.021	16	40 50	
					60 70		
1.5	10 × 1.5	18	0 -0.021	20	80		
					100		
1.5	10 × 1.5	18	0 -0.021	20	120 150		
					60 70		
1.5	10 × 1.5	18	0 -0.021	20	80		
					100		

⚠ If D = 5, then ℓ = 6 is a value for reference only.

⚠ Only if D = 6 and L = 10, then ℓ = 6.



Order Example

TYPE	D	L
MSTH	- D6	- L20