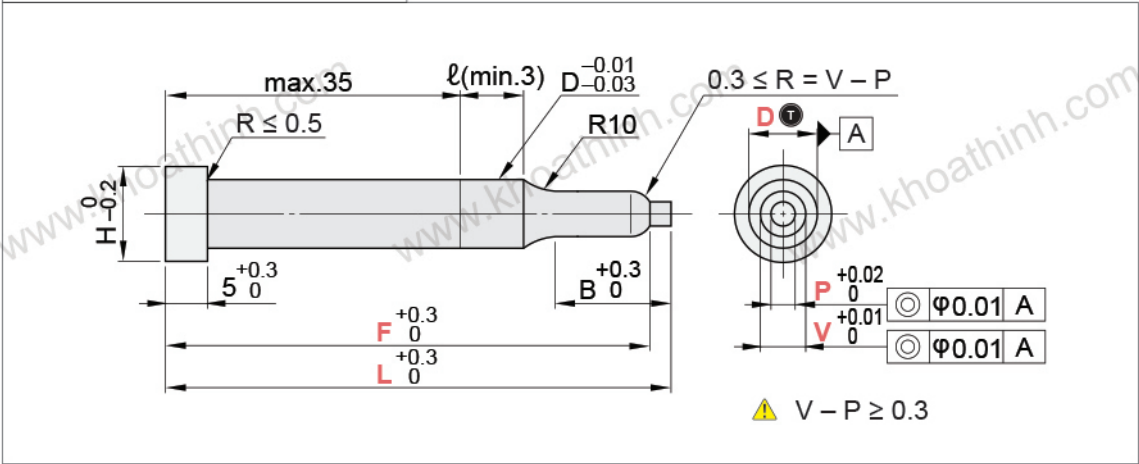


TYPE	M	H
SPMA	SKD11	59 ~ 62HRC



B	H	TYPE	D	L	0.01mm increments		0.01mm increments
					min. V	max. P	F
8	7	SPMA (SKD11)	4	40.0 ~ 80.0 (0.1mm increments)	1.60 ~ 3.99	1.00	F ≤ L-2
	8		1.80 ~ 4.99		1.20		
	9		1.80 ~ 5.99		1.20		
	11		2.10 ~ 7.99		1.50		
	13		3.00 ~ 9.99		2.50		



Order Example

TYPE	D	L	P
SPMA	- D6	- L45.5	- P3.25