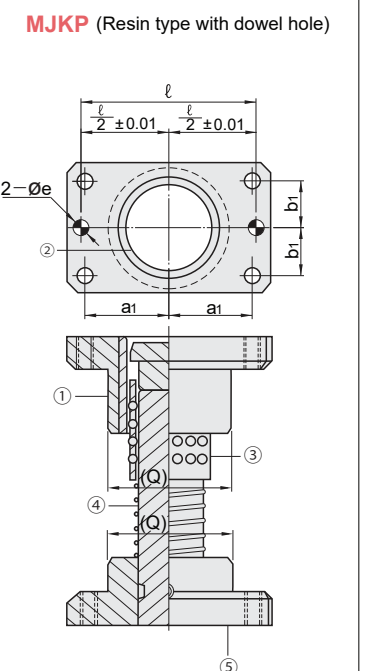
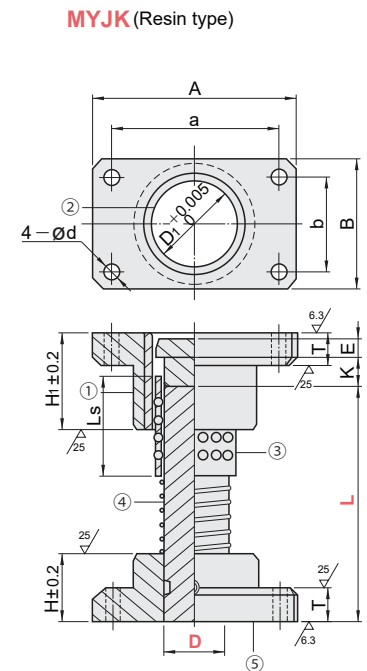


(Q) values are reference only



(Q) values are reference only

D	D1	A	B	a	b	d	H	H1	T	(Q)	K ^{Stopper fixed}	E	LS	ℓ	a1	b1	ϕH7	⑥ Provided bolt	⑦ Provided dowel pins
25	31	84	48	66	30	9	30	50	20	46	20	5	50	66	33	15	8	CB 8-35	MSTM 8-30
32	40	100	58	76	36	11	40	60	20	56	25	5	60	76	38	18	8		
38	48	130	75	100	44	11	50	70	25	73	30	10	70	100	50	22	10	CB10-40	MSTM 8-30
50	60	155	90	125	60	14	65	90	25	87	40	10	90	125	62.5	30	10		
60	70	190	120	150	80	18	75	100	30	116	50	15	100	150	75	40	13	CB12-50	MSTM10-40
																		CB16-60	MSTM13-50

TYPE	D	L																				
MYAK MYKP MYJK MJKP	25	90	100	110	120																	
						130	140	150	160													
										170	180	200										
	32					110	120	130	140	150												
										160	170	180	200									
														220	240	260						
	38									130	140	150	160									
														170	180	200	220					
																	240	260	300			
	50													170	180	200						
																		220	240	260		
																				300	350	
60																	200	220				
																					240	260
																					300	350

Type	Replacement parts					
	Post	Holder	Bushing	Retainer	Spring	Stopper
MYAK	—	MGH	MAB	MBS	SWMY	—
MYKP		MGHP	MABP			
MYJK		MGH	MAB	MBJ		
MJKP		MGHP	MABP			



Order Example

TYPE	D	L
MYKP50	-	200